

Flat Screen TV Stand with Square Base

For more information please visit www.btechavmounts.com/BTF800

BTF800



BTF800

Flat Screen TV Stand with Square Base

Designed for LCD, LED and Plasma TVs
up to 60" (152cm) / 30kg (66lbs)

- Fits screens with VESA® and non-VESA® mounting patterns up to 600 x 400mm
- Easy swivel adjustment 60°
- Stainless steel finish
- Concealed castors and cable management
- Includes accessory shelf - Max weight: 10kg (22lbs)
- Glass shelf thickness: 6mm
- **Dimensions:**
W: 500mm (19.7")
D: 500mm (19.7")
H: 975mm (38.4") (to centre of mount)
- Tempered glass base and shelf toughened to meet BS6206A standard
- Available in black and white

VESA
600
x
400

60"
152cm

30kg
(66lbs)

Shelf
10kg
(22lbs)

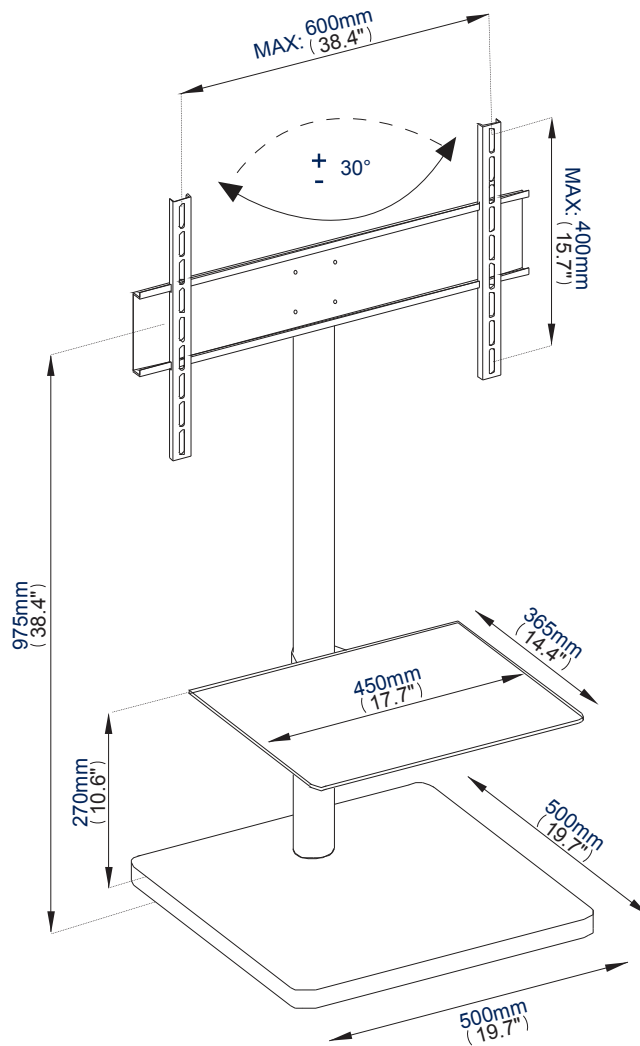
60°




Flat Screen TV Stand with Square Base

For more information please visit www.btechavmounts.com/BTF800

BTF800



Colour:	Order Ref:	EAN Code:	Master Carton Qty:	Inner Carton Qty:	Carton Weight:	Carton Cube:
Black	BTF800/BS	5019318651014	-	-	21 kgs (46.29lbs)	0.314cbm (11.12cuft)
White	BTF800/W	5019318651168	-	-	21 kgs (46.29lbs)	0.314cbm (11.12cuft)

**This information is intended as a guide only and reflects the current specification at the time of print.
B-Tech accepts no liability for the accuracy of the information contained in this document.**