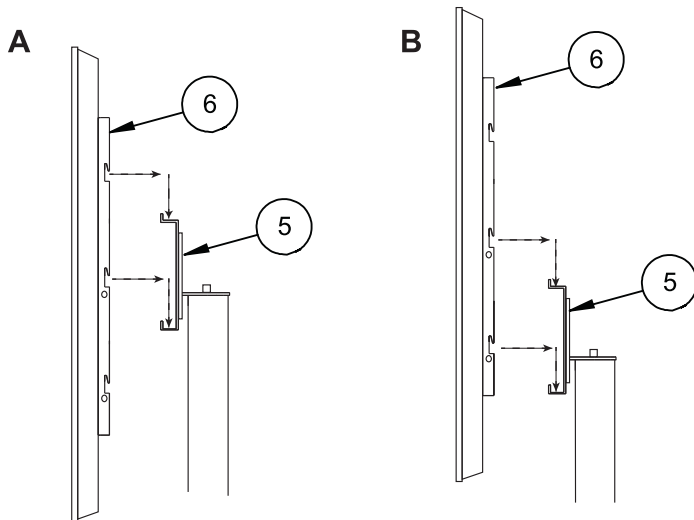


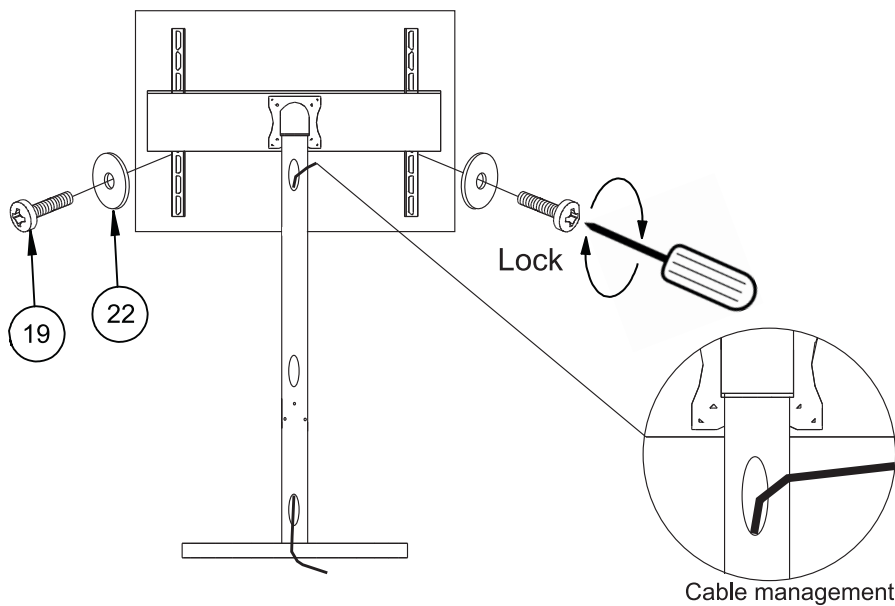
i. Depending on desired height, there are 2 positions that the screen can be mounted:

A. Hook the screen onto the mounting plate (part 5) using the top hooks on the interface arms (part 6).

B. For a higher screen display, use the middle hooks on the interface arms as the top hooks.

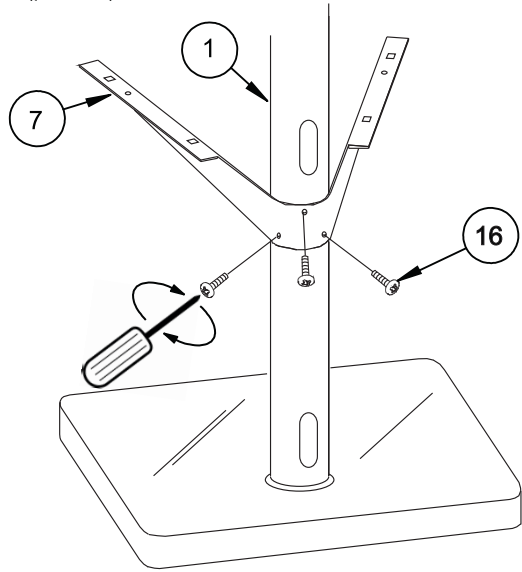
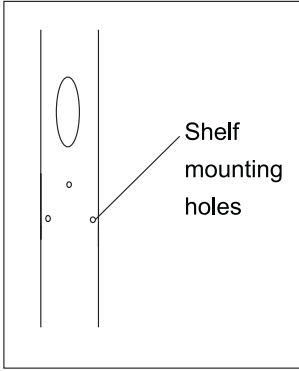


ii. Lock screen to stand



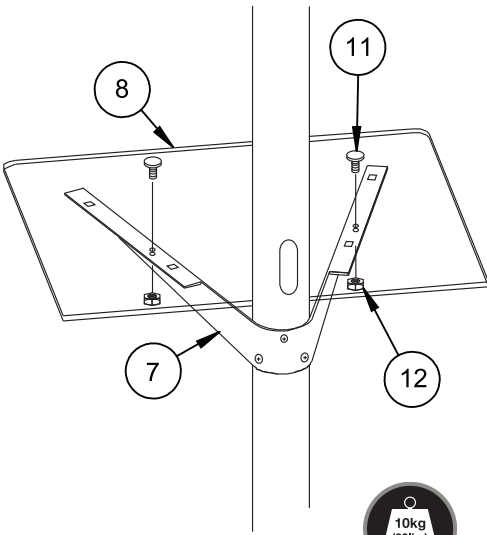
7

Fix shelf mount (part 7) to the support column (part 1) using the M5 x 10mm screws (part 16).

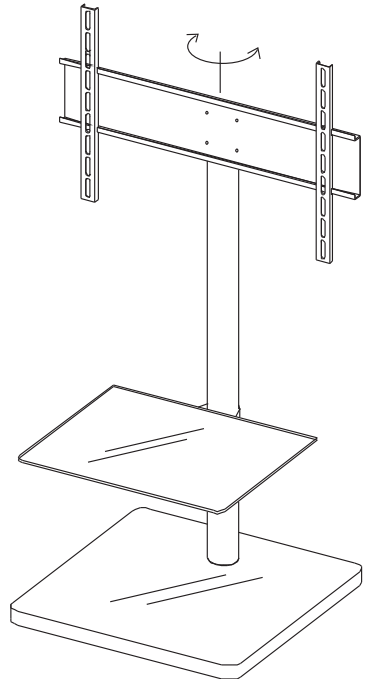


8

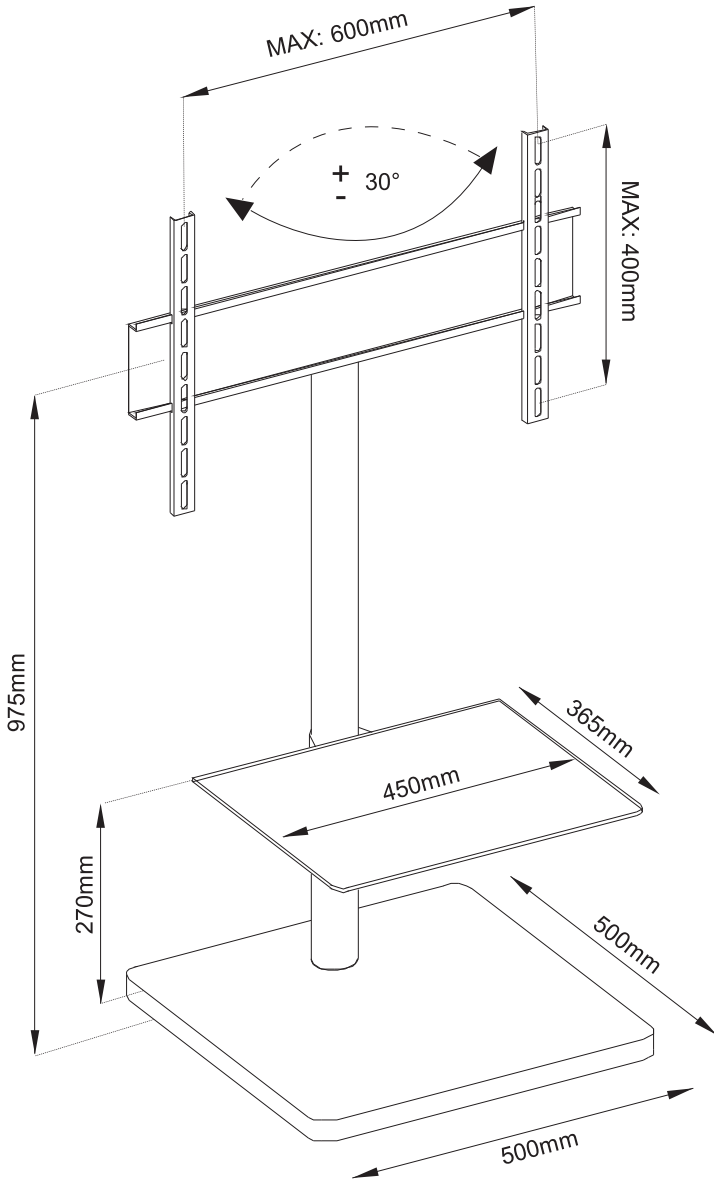
Mount glass shelf (part 8) to the shelf mount (part 7) and secure in place.



Shelf



# BTF800 PRODUCT DIMENSIONS



THESE INSTRUCTIONS ARE INTENDED AS A GUIDE ONLY AND B-TECH ACCEPTS NO LIABILITY FOR THE ACCURACY OF THE INFORMATION CONTAINED IN THIS DOCUMENT.



[www.btechavmounts.com](http://www.btechavmounts.com)

## **B-TECH AUDIO VIDEO MOUNTS**

### **HEAD OFFICE**

#### **B-Tech International Limited**

Bennett House, Long March, Daventry, Northants., NN11 4NR, UK

Email: [info@btechavmounts.com](mailto:info@btechavmounts.com)

©2015 B-Tech International Limited. All rights reserved.

B-Tech Audio Video Mounts is a division of B-Tech International Limited.

B-Tech, Better By Design & Mountlogic are registered trademarks of B-Tech International Limited.

All other brands and product names are trademarks of their respective owners.

Photographs are for illustrative purposes only. E&OE.