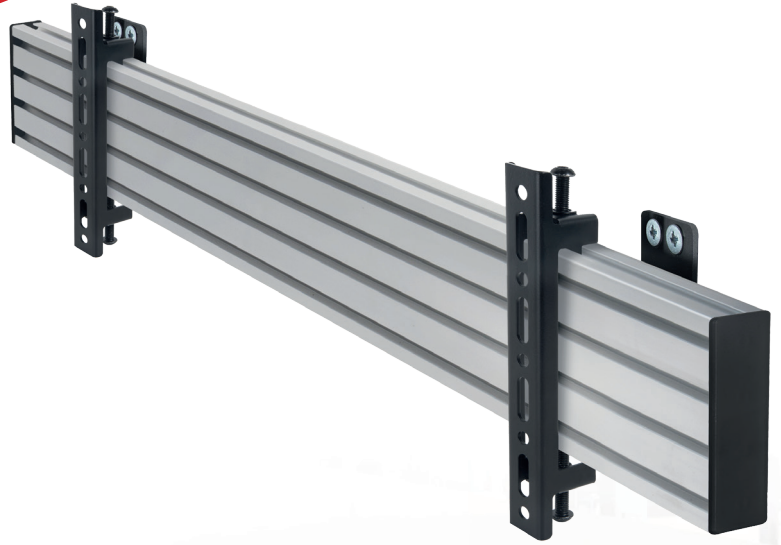




IDEAL FOR
LG'S 86BH5C
ULTRA STRETCH
SIGNAGE

BT9905 SYSTEM X™ ULTRA STRETCH SIGNAGE MOUNT FOR LG® 86BH5C



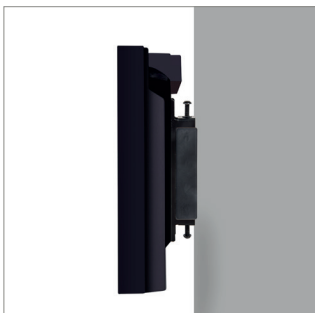
BT9905 is a System X mounting solution that is ideal for landscape mounting LG's 86BH5C Ultra Stretch Signage to a wall. At a depth of just 45mm, the finished install is close to the wall but still allows enough room for easy access to connectors. Safety screws come as standard to help prevent unauthorised removal of the screen and height adjustment screws allow the screen to be levelled perfectly after installation.

SPECIFICATION

Recommended screen size	86"
Max load	50kg
Max VESA® fixings	600 x 200
Distance from wall	45mm
Dimensions	L: 705mm x H: 228mm x D: 45mm
Colour (horizontal rail)	Silver
Colour (VESA arms)	Black

FEATURES

- Ideal for use with the LG 86BH5C 86", 58:9 Ultra Stretch Signage
- Mounts screen just 45mm from wall whilst still allowing easy access to connectors
- Ideal for landscape mounting
- Arms feature levelling screws to adjust the screen height
- Pole mounted version for ceiling and floor mounting is available on request
- Safety screws help prevent unauthorised removal of screens
- High end aesthetic quality with stylish end caps for a neat and tidy install
- Portrait mounted solution also available, please see **BT9906**
- All mounting hardware included



Mounts the screen 45mm from the wall, allowing easy access to connectors



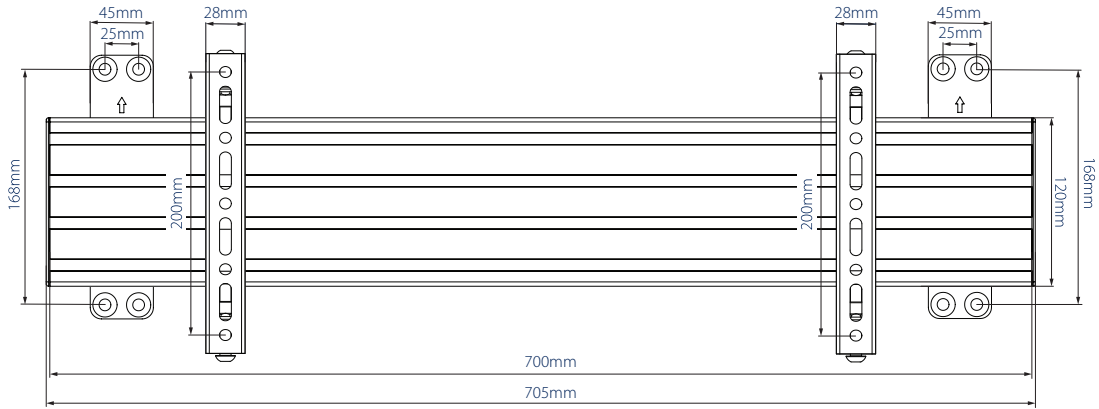
Arms feature levelling screws to adjust the screen height



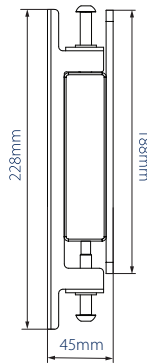
High-end aesthetic quality with stylish end caps for a neat and tidy install



Pole mounted options are also available using System 2 poles, collars and ceiling mounts



FRONT VIEW



SIDE VIEW

PACKING INFORMATION

COLOUR:	ORDER REF:	EAN CODE:	MASTER CARTON QTY:	INNER CARTON QTY:	MASTER CARTON WEIGHT:	MASTER CARTON CUBE:
Black w/Silver Rails	BT9905/BS	5019318501463	1	0	3.1kg	0.0111cbm

ACCESSORIES AND RELATED PRODUCTS

BT9906



Ultra-Stretch Signage Mount for use when portrait mounting

BT8390-CFK



Collar Fixing Kit allows BT9905 and other System X mounts to be pole mounted

BT7822



Heavy Duty Ceiling Mount can be used with System 2 poles and collars to create ceiling mounted solutions

BT7850



Ø50mm Poles available in 6 different lengths; 0.25m, 0.5m, 1m, 1.5m, 2m and 3m

© 2016 B-Tech International Pty. Ltd. All rights reserved.
 The information in this specification is current technical specifications at the time of print.
 We reserve the right to change the technical or physical specifications without prior notice. B-Tech International Pty. Ltd.
 B-Tech accepts no liability for loss or damage caused by improper or misuse of its products. Any reproduction or transmission or replication of any part of this
 specification is strictly prohibited unless prior written permission has been granted by B-Tech International Pty. Ltd.

SS-BT9905-V1.1-050516