



**EASY  
TORSION-TILT  
SYSTEM**

# BT8430

## UNIVERSAL FLAT SCREEN WALL MOUNT WITH TILT



Designed to mount medium sized screens, the BT8430 is a flat screen wall mount that features a unique 'Torsion-Tilt' mechanism which allows easy tilt adjustment of the screen up to +/-15°. Also suitable for pole mounting using B-Tech's Accessory Collars, the BT8430 features levelling screws to adjust the screen level post installation as well as locking screws which help prevent unauthorised removal of the screen.

### SPECIFICATION

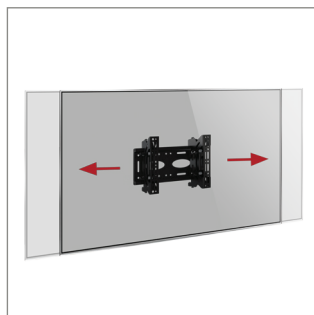
Recommended screen size	32" - 45"
Max load	50kg
VESA® compatibility	up to 200 x 200
Universal fixing pattern	up to 327mm x 200mm
Tilt adjustment	+/-15°
Distance from wall (flat)	81mm
Distance from wall (full tilt)	118mm
Colour	Black

### FEATURES

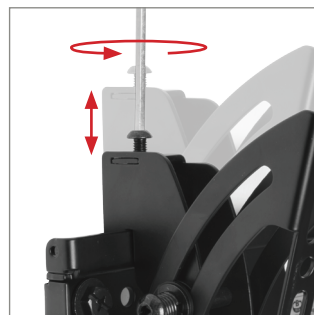
- Unique 'Torsion-Tilt' mechanism for easy tilt adjustment
- Post installation screen alignment for perfect screen positioning
- Compatible with B-Tech's collar and pole system for pole mounting screens
- Arms feature levelling screws to adjust the screen height
- Safety screws help prevent unauthorised removal of screens
- Simple 'hook-on' installation
- All mounting hardware included



Compatible with B-Tech's collar and pole system for pole mounting screens



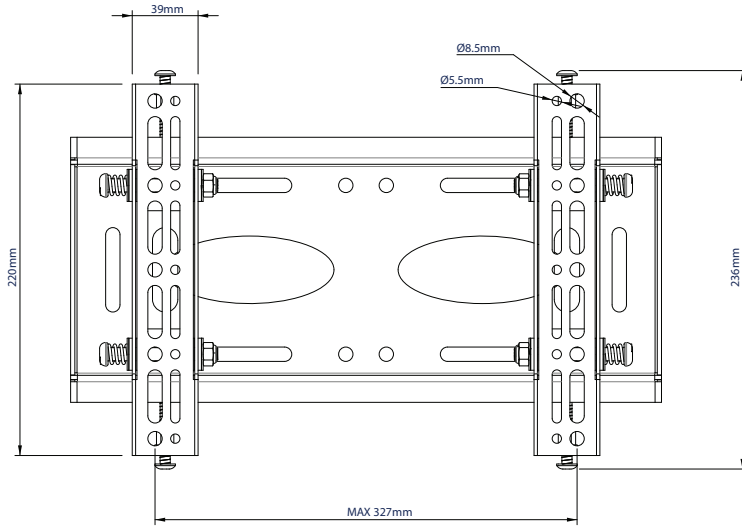
Post installation lateral screen alignment for perfect screen positioning



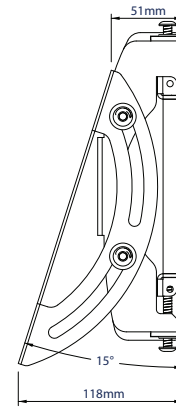
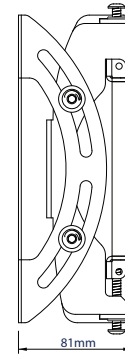
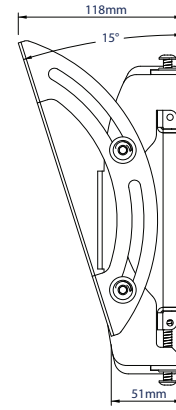
Arms feature levelling screws to adjust the screen height once mounted



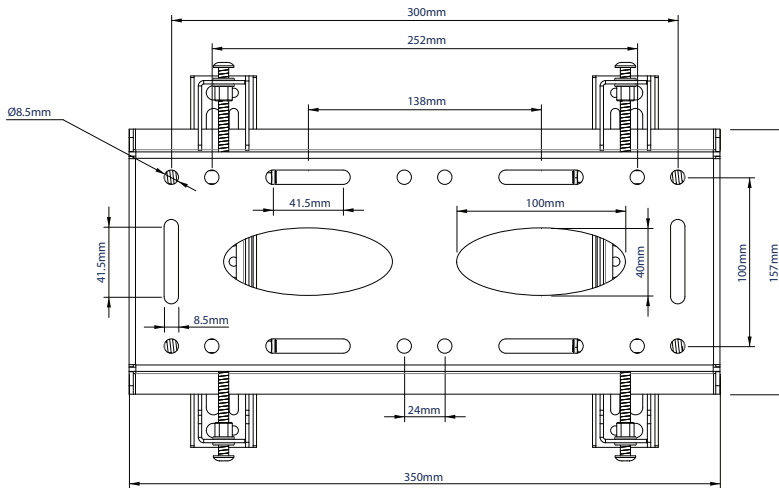
Security locking screws and Allen key provided for a secure installation



FRONT VIEW



SIDE VIEWS



REAR VIEW

PACKING INFORMATION

COLOUR:	ORDER REF:	EAN CODE:	MASTER CARTON QTY:	INNER CARTON QTY:	MASTER CARTON WEIGHT:	MASTER CARTON CUBE:
Black	BT8430-PRO/B	5019318089947	2	0	6.9kg	0.021cbm

ACCESSORIES AND RELATED PRODUCTS

BT7822



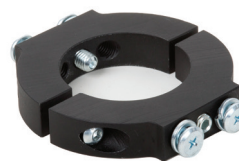
**Heavy Duty Ceiling / Floor Mount**  
Can be used in conjunction with B-Tech poles and collars to create pole mounted solutions

BT7850



**50mm Diameter Poles** are available in a choice of lengths up to 3m and can be used to create multiple pole mounted solutions

BT7841



**50mm Accessory Collars** allows mounts and accessories to be fitted to B-Tech poles

BT8200



**Ultra-Slim Universal Flat Screen Wall Mount** for screens up to 45"

© 2015 B-Tech Professional Design & Manufacturing Ltd. All rights reserved.  
 The information in this specification sheet reflects the current technical specifications at the time of print.  
 We warrant the right to charge the technical or physical specifications without prior notice. B-Tech Professional and B-Tech Technology are registered trademarks of B-Tech Professional Design & Manufacturing Ltd.  
 B-Tech accepts no liability for loss or damage caused by improper installation or mounting on unsuitable structures. Any reproduction or retransmission or replication of any part of this specification is expressly prohibited, unless prior written permission has been granted by B-Tech Professional Design & Manufacturing Ltd. Ltd.  
 SS-V1.1-BT8430-090317 Patent Application Number: 8170235