

Ultra-Slim Universal Flat Screen Wall Mount

For more information please visit www.btechavmounts.com/BT8220

BT8220

Registered Design Number: 001713280-0018



BT8220

Ultra-Slim Universal Flat Screen Wall Mount

Designed for extra-large LED, LCD and Plasma screens up to 65" (165cm) / 70kg (154lbs)

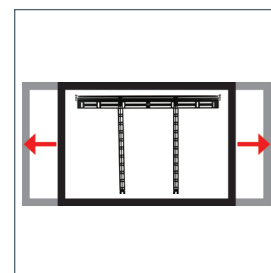
- Fits screens with mounting patterns up to: H: 840mm (33.2") x V: 500mm (19.7") including VESA® fixings up to 800 x 400mm
- Ultra-slim design mounts screen only 14mm (0.6") from wall
- Features 'OWLS™' On Wall Levelling System
- Suitable for concrete / brick or up to 32" stud walls
- Security locking screws, Allen key and locking bar provided for secure installation
- Universal screen fixing kit supplied, including M4, M5, M6 and M8 screws
- Simple 'hook-on' installation with all mounting hardware included
- Available in Black



Ultra-slim design for close to wall installation



Features 'Torsion Lock™' security



Post installation screen alignment



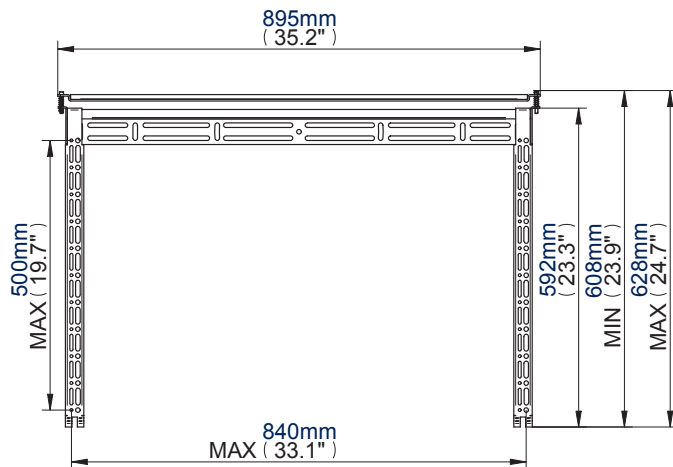
Comprehensive screen fixing kit included

Ultra-Slim Universal Flat Screen Wall Mount

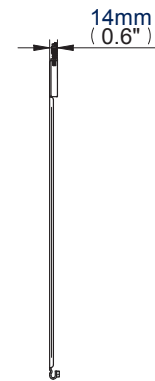
For more information please visit www.btechavmounts.com/BT8220

BT8220

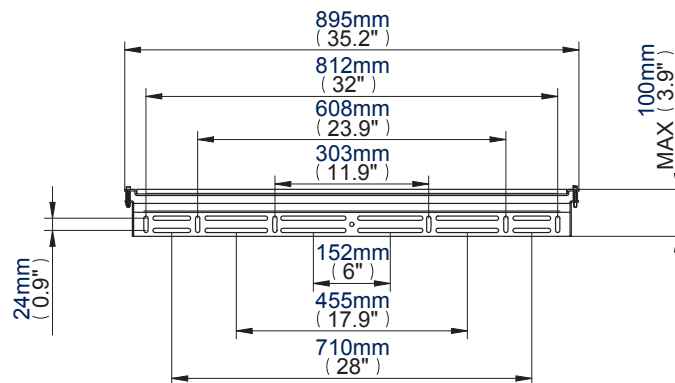
Registered Design Number: 001713280-0018



Front View



Side View



Wall Plate

Colour:	Order Ref:	EAN Code:	Master Carton Qty:	Inner Carton Qty:	Master Carton Weight:	Master Carton Cube:
Black	BT8220/B	5019318082023	4	0	13.3kg (29.26lbs)	0.049cbm (1.73cuft)

**This information is intended as a guide only and reflects the current specification at the time of print.
B-Tech accepts no liability for the accuracy of the information contained in this document.**