



B-TECH AV MOUNTS™

IDEAL FOR  
MULTI-SCREEN  
INSTALLATIONS

# BT8390-VESA400F SYSTEM X™ UNIVERSAL INTERFACE ARMS FOR MEDIUM / LARGE SCREENS

SYSTEM X  
COMPONENT PART



Ideal for single row, multi-screen installations, these interface arms are designed to mount small to medium sized screens in a fixed position along System X horizontal mounting rails. The universal design is compatible with a variety of different screens and allows them to be mounted in either landscape or portrait orientations. Levelling screws on each interface arm provides post installation height adjustment and a mounted depth of 48mm from the wall allows easy access for cables and connectors.

### SPECIFICATION

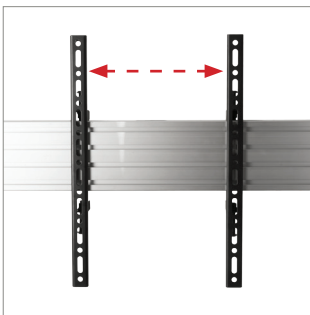
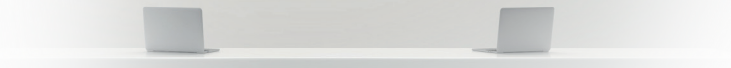
|                                      |                                   |
|--------------------------------------|-----------------------------------|
| Recommended screen size              | 42" - 65"                         |
| Max load                             | 70kg                              |
| VESA® & non-VESA fixings             | up to 400mm* (vertical dimension) |
| Depth (typical wall mounted install) | 48mm                              |
| Colour                               | Black                             |

Supplied in pairs

\*The VESA specification of the BT8390-VESA400F refers to the vertical dimension only. All System X interface arms can be positioned as far along the rail as necessary.

### FEATURES

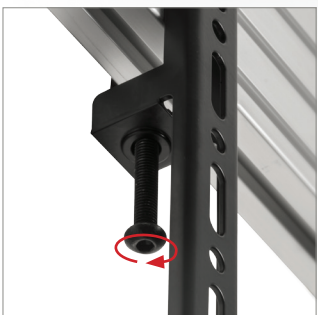
- Part of the System X range for use in a variety of applications
- Ideal for menu boards and other multi-screen installations
- Universal design compatible with most screens
- Suitable for landscape or portrait mounting
- High-end aesthetic quality
- Lateral adjustment - position arms anywhere along the length of the rail
- Includes levelling screws to adjust the screen height
- Safety screws help prevent unauthorised removal of screens
- Simple 'hook-on' installation
- All mounting hardware included



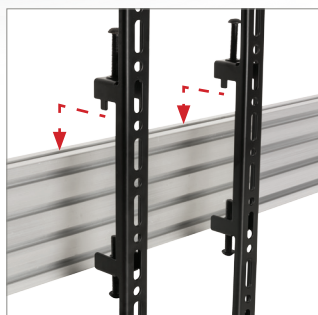
Position arms anywhere along the length of the rail



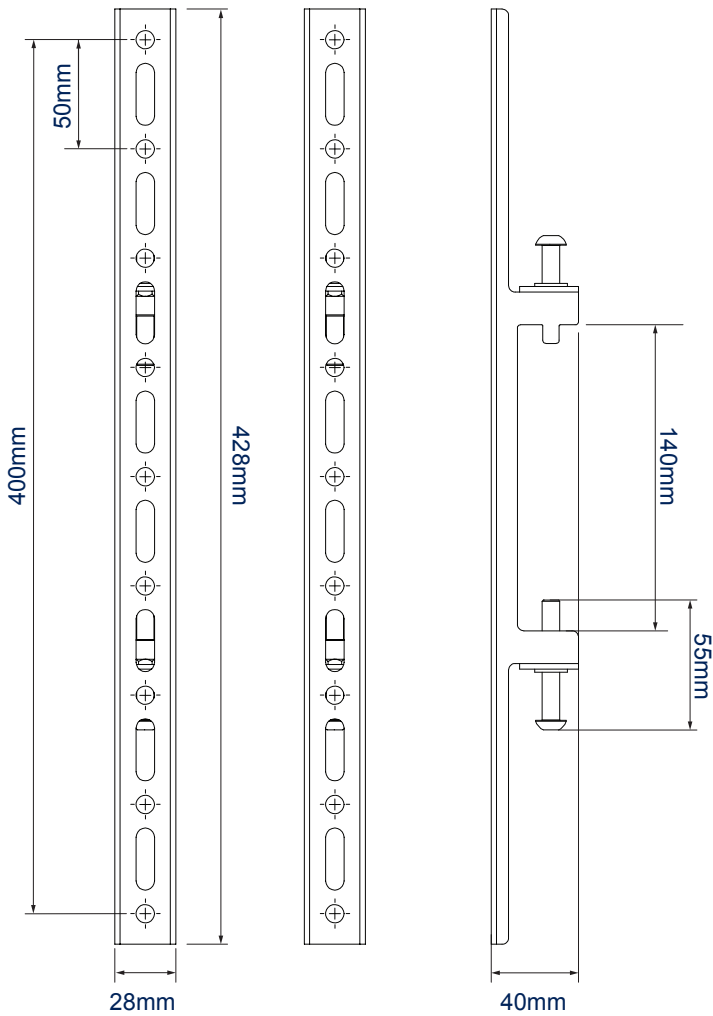
Arms feature levelling screws to adjust the screen height



Safety screws help prevent unauthorised removal of screens

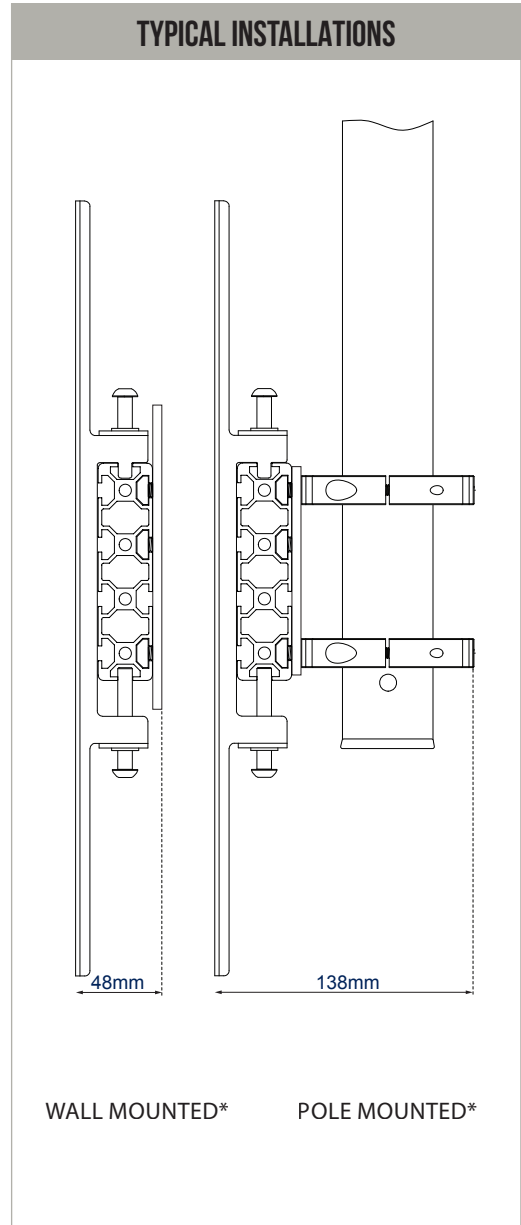


Simple 'hook-on' installation



FRONT VIEW

SIDE VIEW



WALL MOUNTED\*

POLE MOUNTED\*

PACKING INFORMATION

| COLOUR: | ORDER REF:        | EAN CODE:     | MASTER CARTON QTY: | INNER CARTON QTY: | MASTER CARTON WEIGHT: | MASTER CARTON CUBE: |
|---------|-------------------|---------------|--------------------|-------------------|-----------------------|---------------------|
| Black   | BT8390-VESA400F/B | 5019318501210 | 13                 | 0                 | 18kg                  | 0.046cbm            |

\*Please note all other components shown in the technical drawings are available separately.

ACCESSORIES AND RELATED PRODUCTS

BT7564



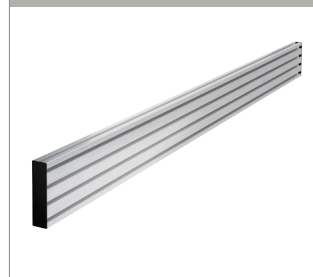
Interface Adaptor Arms for VESA 600 x 400 can be used with VESA 200 or 400 arms to increase the maximum vertical fixings to 600mm for larger screens

BT8390-WFK1



Wall Fixing Kits are used to fix mounting rails securely to the wall

BT8390-030/050/070/150/175/200



Mounting Rails can be attached to columns, walls or poles using System X components

BT8390-VESA400T



VESA 400 Interface Arms with Tilt mount medium - large sized screens to mounting rails, with a tilt range of up +20°

© 2018 B-Tech AV Mounts. All rights reserved. The information in this specification is subject to change without notice. B-Tech AV Mounts is a registered trademark of B-Tech AV Mounts. All other trademarks are the property of their respective owners. B-Tech AV Mounts is not responsible for any damage caused by improper or incorrect installation. Any reproduction or transmission of any part of this specification is strictly prohibited unless prior written permission has been granted by B-Tech AV Mounts. European Trademark No.: 002741256-0025 SS-V1-BT8390-VESA400F-270317