

HIGH POWER / LOUDSPEAKERS / ACTIVE

FORCE-12DSP

ACTIVE HIGH-POWER LOUDSPEAKER.



CLASS D



DSP

- ✓ High power with rich sound
- ✓ Robust structure and high quality components
- ✓ Built-in amplifier, with digital signal processor (DSP) with 4 sound modes
- ✓ Carrying handles, suspension points and hole in base for 35 mm tube
- ✓ User-friendly and intuitive

ESPECIALLY RECOMMENDED IN:



+ Info:

<https://fonestar.com/FORCE-12DSP>



+ Info:

<https://fonestar.com/FORCE-12DSP>

All sectors



+ Info:

<https://fonestar.com/FORCE-12DSP>

DESCRIPTION

Active high power loudspeaker.

Professional active loudspeaker.

Integrated DSP with 4 sound modes: Music, Live, Speech, and DJ.

Selectable MONITOR function, extra attenuation in low frequencies.

Fully configurable sound modes via advanced software. Allows you to adapt the frequency response, delay, compressor/limiter to the requirements of the facility or event.

Highly efficient and reliable class D amplifier with low maintenance protection circuits.

High power with highly nuanced sound.

Wireless stereo installation using wireless technology.

Durable, injection-moulded, transport proof.

Textured paint finish.

Simple and intuitive use, minimises set-up time depending on the installation.

Ideal for pop-up discos, discos, pubs, gymnasiums, restaurants, events, children's parties, etc.

TECHNICAL CHARACTERISTICS

FEATURES	<p>High power active loudspeaker. DSP processor. Highly resistant case with textured paint finish. Carrying handles and suspension points. Hole in the base for 35 mm tube.</p>
AMPLIFIER	<p>800 W peak, 600 W maximum, 300 W RMS Class D</p>
PROTECTION	<p>Temperature, short circuit and overload</p>
LOUDSPEAKERS	<p>1 x 12" woofer: 65 mm coil and 156 mm ferrite magnet 1 x 1" compression driver: 34 mm coil and 90 mm magnet</p>
RESPONSE	<p>55-20,000 Hz</p>
INPUTS	<p>2 balanced mic./line, XLR and 6.3 mm jack combo</p>



+ Info:

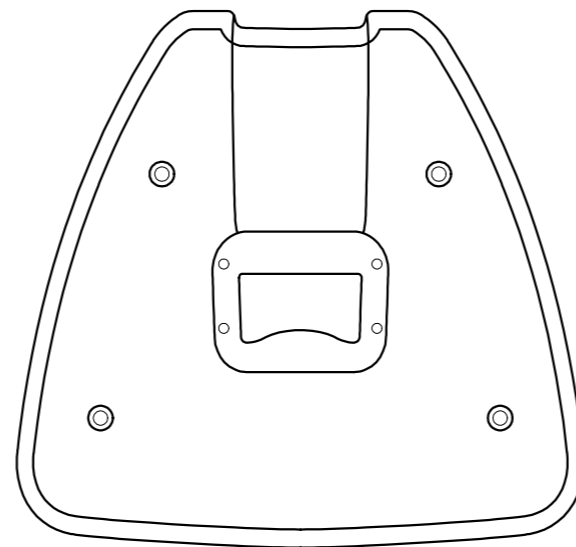
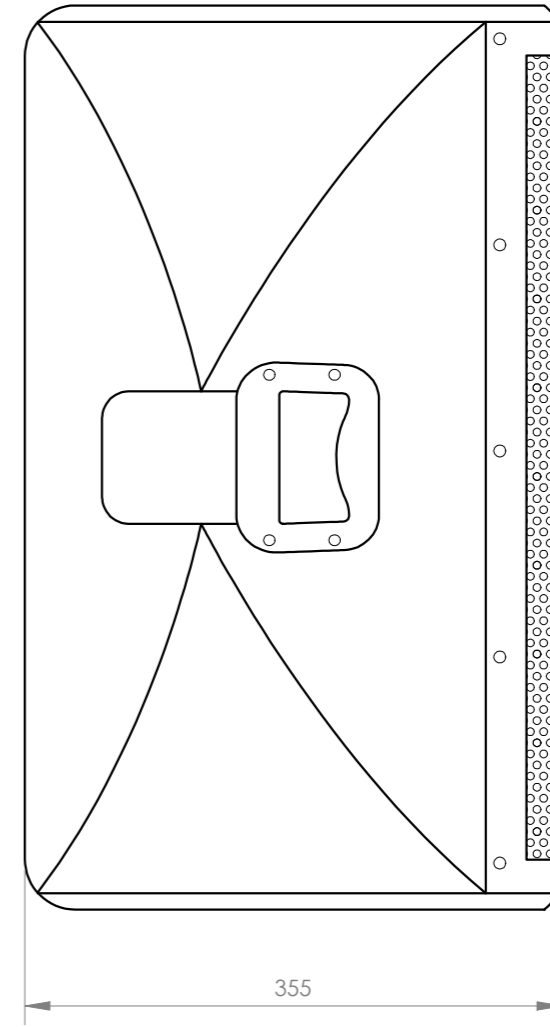
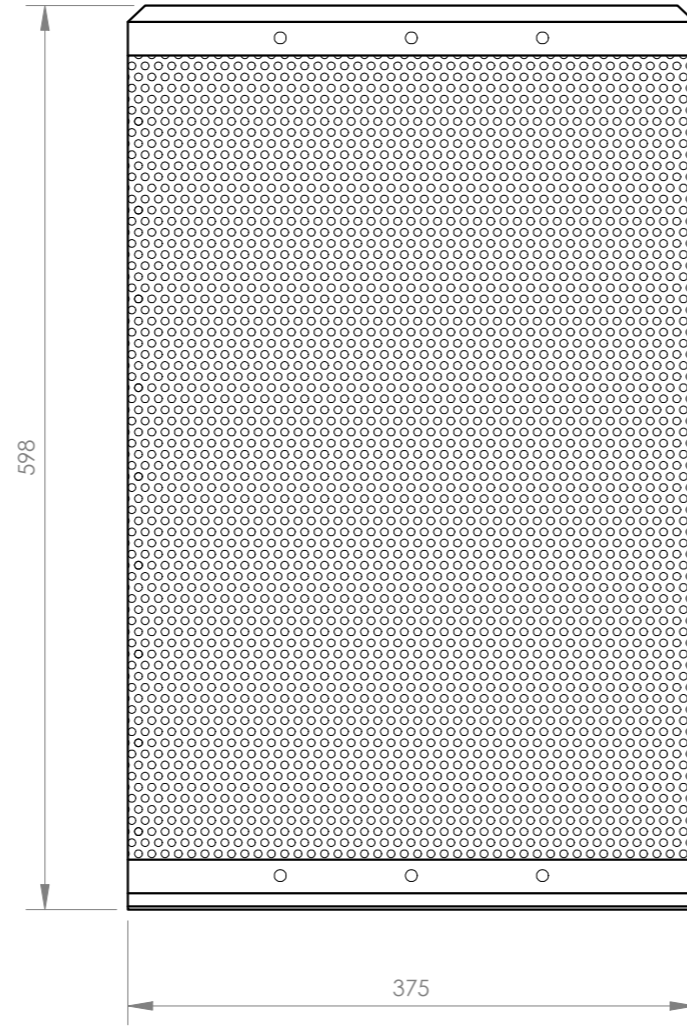
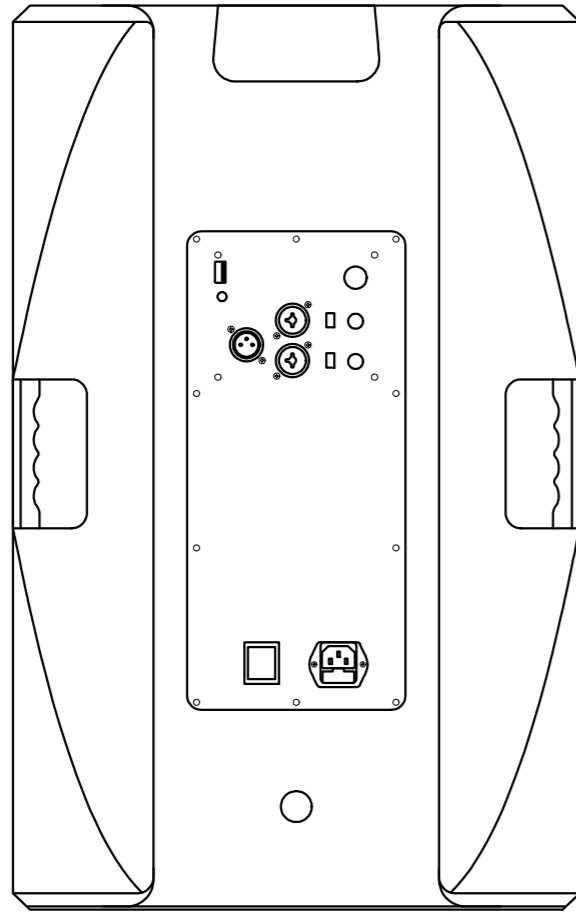
<https://fonestar.com/FORCE-12DSP>

OUTPUTS	1 balanced line, XLR
SENSITIVITY	97 dB at 1 W/1 m
SOUND PRESSURE	123 dB at maximum power at 1 m
DISPERSION	90° H x 90° V
SUSPENSION POINTS	5 M8 points
COLOUR	Black
POWER SUPPLY	115/230 V AC, 250 W
DIMENSIONS	375 x 595 x 360 mm depth
WEIGHT	18.5 kg



+ Info:

<https://fonestar.com/FORCE-12DSP>



FONESTAR	Model	Description	Units	Scale
	FORCE-12DSP	ACTIVE HIGH-POWER LOUDSPEAKER.	mm	1:5