

# PROX-60S

PA SINGLE ZONE AMPLIFIER



## DESCRIPTION

PA amplifier

The best tool for venue sound installation.

Reliable for long working days.

Distributed audio for PA installations with 100 V loudspeakers, also with low impedance output.

User-friendly operation and a modern, discreet design.

A solution to suit any budget.

Safe and durable connections with low maintenance.

Perfect for public address and piped music systems with 100 V or low impedance line speakers. Retail, educational centres, monuments, exhibitions, bars, restaurants, etc.

## TECHNICAL CHARACTERISTICS

FEATURES	<p>PA Amplifier</p> <p>Microphone inputs with mix, gain and priority level control.</p> <p>Input priorities by signal level.</p> <p>Tone controls.</p> <p>100 V and 4 Ohm outputs.</p>
POWER	<p>60 W RMS</p>



Expand product information on:  
<https://fonestar.com/es/PROX-60S>

RESPONSE	60-20,000 Hz (-10 dB)
DISTORTION	THD+N: < 1% @ 1 kHz
S/N RATIO	>77 dB
PROTECTIONS	Overcurrent, DC and short-circuit at the output
INPUTS	CH 1 balanced mic/line with 48V Phantom, Combo connector (XLR + 6.3mm) and euroblock CH 2 mic/line balanced with 48V Phantom. Euroblock connector Mic signal level: 6 mV RMS (-44 dBV) / 600 Ohm Line signal level: 250 mV RMS (-12 dBV) / 100k Ohm 2 AUX. 2 x RCA and euroblock connector. Signal level 300 mV RMS (-10 dBV) / 47,000 Ohm 1 emergency. Euroblock connector. Signal level loudspeaker line 100 V 1 Mute (Emergency Priority) by contact closure. Euroblock connector
OUTPUTS	1 line. 2 x RCA connector. 1.25 V RMS (+2 dBV) signal level 100 V or 4 Ohm speaker output. Connector screw terminals
IMPEDANCE	4 Ohm and 100 V line (166 Ohm)
FUNCTIONS	Input priority (Voice over VOX inputs): 100 V Emergency input with highest priority, attenuates all other inputs. Mute by contact closure, attenuates all inputs except the 100 V Emergency input. Channel 1 with priority over all other inputs, selectable level. Channel 2 with priority over auxiliary inputs, selectable level. Other functions: Power on, protection, signal peak and output signal indicator lights. Fanless induction cooling
CONTROLS	Microphone volume Mic/line/phantom selector Master volume Aux input selector Tone: bass and treble (+/- 10 dB 100 Hz and 10k Hz) Microphone gain Priority activation signal level (VOX)



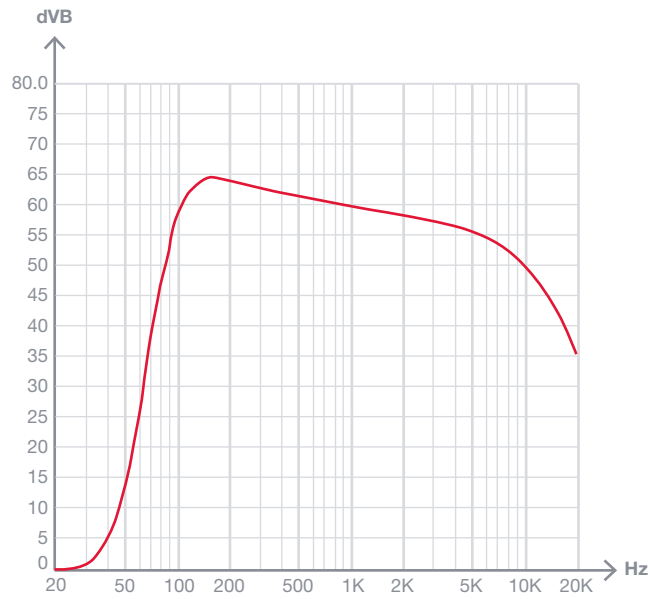
Expand product information on:  
<https://fonestar.com/es/PROX-60S>

OPERATING TEMPERATURE	Operation: 0° ~ 40°C
MAXIMUM HUMIDITY	95%
POWER SUPPLY	230/115 V AC 50-60 Hz, 200 W Fuse AC 230 V 1.5 A / 115 V 3.15 A
DIMENSIONS	320 x 94 x 281 mm depth
WEIGHT	5 kg
ACCESSORIES	Power cable

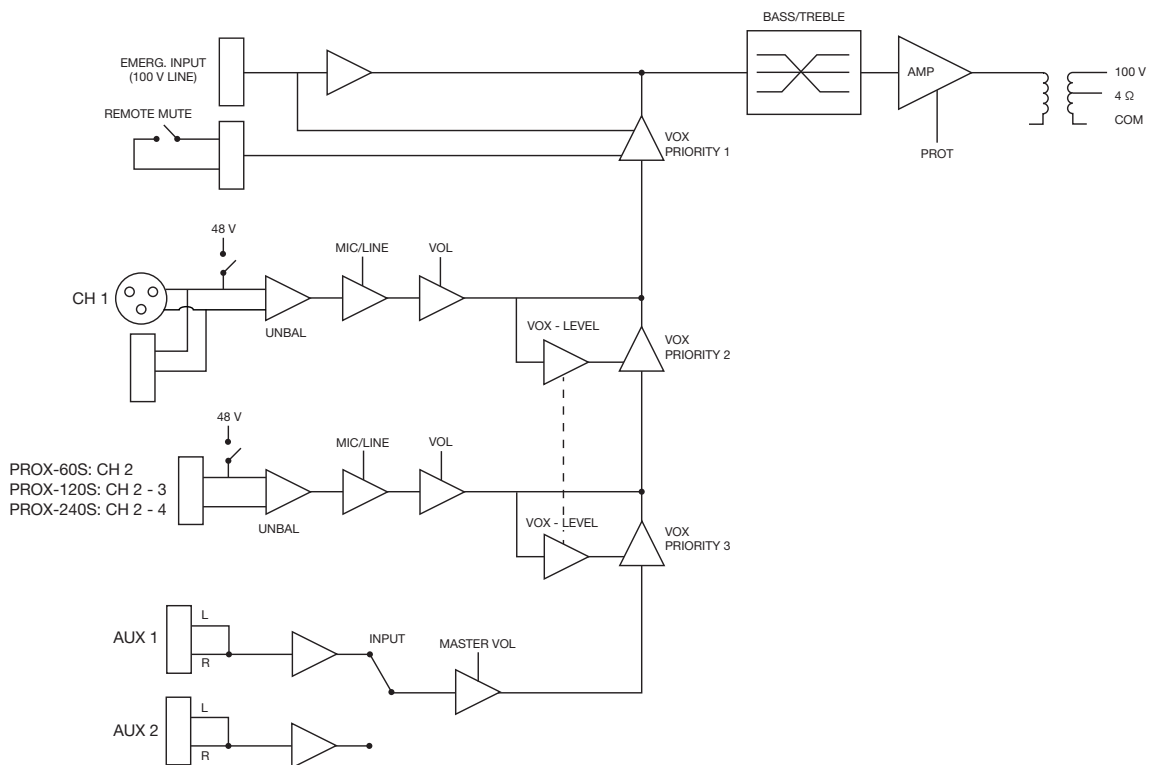


Expand product information on:  
<https://fonestar.com/es/PROX-60S>

## Frequency response



## Block diagram



Amplia la información de los productos en:  
<https://fonestar.com/es/PROX-60S>