

# PROX-240Z

PA MULTI-ZONE AMPLIFIER



## DESCRIPTION

PA amplifier with Bluetooth®/USB/FM player and speaker zone selector.

The best tool for sound coverage of areas.

Reliable for long working days.

Distributed audio for PA installations with 100 V loudspeakers, also with low impedance output.

Versatile player for background music. Bluetooth, FM and USB memory player. With auto play function on power up.

It has 4 zone outputs with volume control for different music levels per zone.

User-friendly operation and a modern, discreet design.

A solution that fits any budget.

Secure, durable connections with low maintenance.

Can be used on the desktop or installed in a rack.

Perfect for PA and piped music systems with 100 V or low-impedance line loudspeakers. Commercial premises, educational centres, monuments, exhibitions, bars, restaurants, etc.

## TECHNICAL CHARACTERISTICS

### FEATURES

- Public address amplifier
- Bluetooth/USB/FM player.
- Microphone input with mix, gain and priority level control.
- Input priorities by signal level.
- Tone controls.
- 100 V and 4 Ohm outputs.
- 4 outputs zones with volume control and Off.



Expand product information on:  
<https://fonestar.com/es/PROX-240Z>

POWER	240 W RMS
RESPONSE	40-20,000 Hz (-10 dB)
DISTORTION	THD+N: < 1% @ 1 kHz
S/N RATIO	>77 dB
PROTECTIONS	Overcurrent, DC and short-circuit at the output
INPUTS	CH 1 balanced mic/line with 48V Phantom, Combo (XLR + 6.3 mm) and euroblock. CH 2, 3 and 4 balanced mic/line with 48V Phantom. Euroblock connector. Mic signal level: 6 mV RMS (-44 dBV) / 600 Ohm Line signal level: 250 mV RMS (-12 dBV) / 100k Ohm 2 AUX. 2 x RCA and euroblock connector. Signal level 300 mV RMS (-10 dBV) / 47,000 Ohm 1 emergency. Euroblock connector. Signal level loudspeaker line 100 V 1 Mute (Emergency Priority) by contact closure. Euroblock connector
OUTPUTS	1 line, 2 x RCA connectors, 1.25 V RMS (+2 dBV) signal level 100 V or 4 Ohm speaker output, or 4 100 V speaker zones with 5-position volume selector and OFF (max. 120 W RMS per zone). Connector screw terminals
IMPEDANCE	4 Ohm and 100 V line (420hm)
FUNCTIONS	Input priority (voice over VOX inputs): 100V Emergency input with highest priority, attenuates all other inputs. Mute by contact closure, attenuates all inputs except the 100V Emergency input. Channel 1 with priority over all other inputs, level selectable. Channel 2, 3 and 4 with priority over auxiliary inputs and player, level selectable. Other functions: Power on, protection, signal peak and output signal indicator lights Temperature-controlled forced ventilation cooling
PLAYER	Bluetooth/USB/FM player for background music playback MP3 and WAV files supported Maximum USB memory capacity 64 GB Autoplay, starts playback automatically on power on Memory of last selected mode Play mode memory (random, repeat)



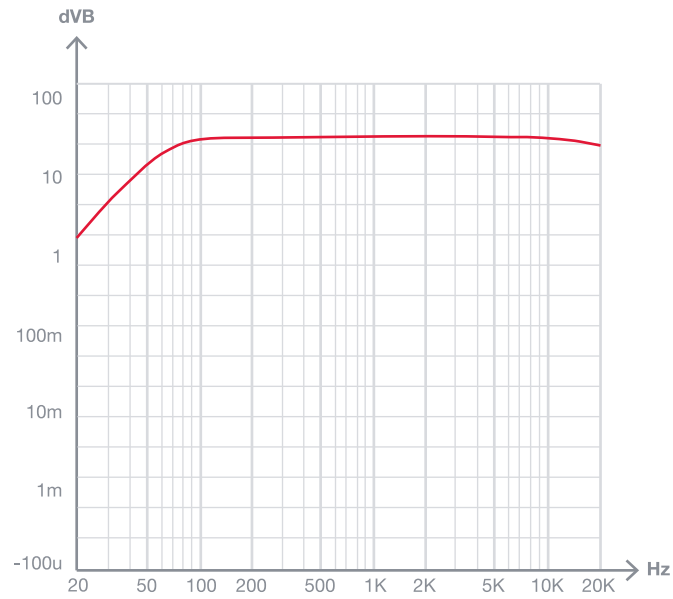
Expand product information on:  
<https://fonestar.com/es/PROX-240Z>

<p>CONTROLS</p>	<p>Microphone volume          Mic/line/phantom selector          Master volume          Aux input or player selector          Zone volume          Tone: bass and treble (+/- 10 dB 100 Hz and 10k Hz)          Microphone gain          Priority activation signal level (VOX)</p>
<p>OPERATING TEMPERATURE</p>	<p>Operation: 0° ~ 40°C</p>
<p>MAXIMUM HUMIDITY</p>	<p>95%</p>
<p>POWER SUPPLY</p>	<p>230/115 V AC 50-60 Hz, 480 W          Fuse AC 230 V 4 A / 115 V 8 A</p>
<p>DIMENSIONS</p>	<p>433 x 89 x 360 mm depth. 2 U 19" rack</p>
<p>WEIGHT</p>	<p>11.5 kg</p>
<p>ACCESSORIES</p>	<p>FM Antenna          Bluetooth antenna          Power cable          Rack mounts</p>

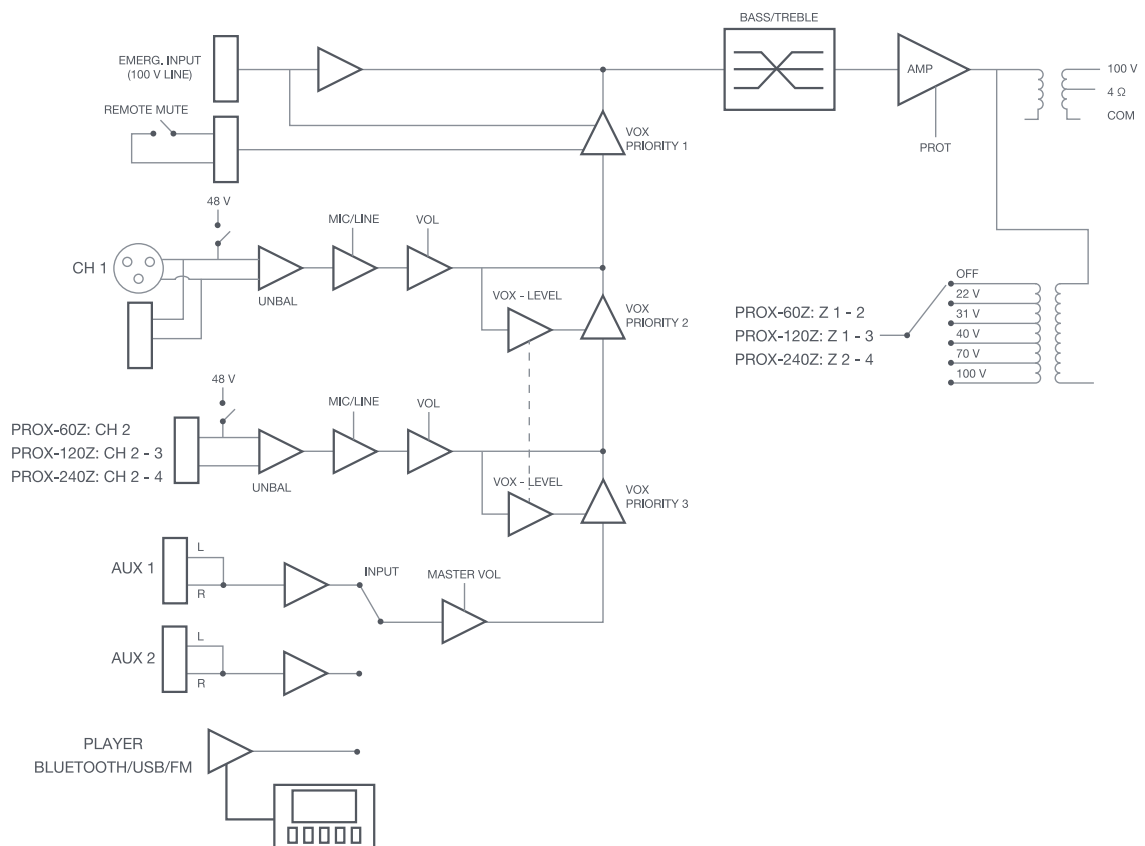


Expand product information on:  
<https://fonestar.com/es/PROX-240Z>

## Frequency response



## Block diagram



Amplia la información de los productos en:  
<https://fonestar.com/es/PROX-240Z>