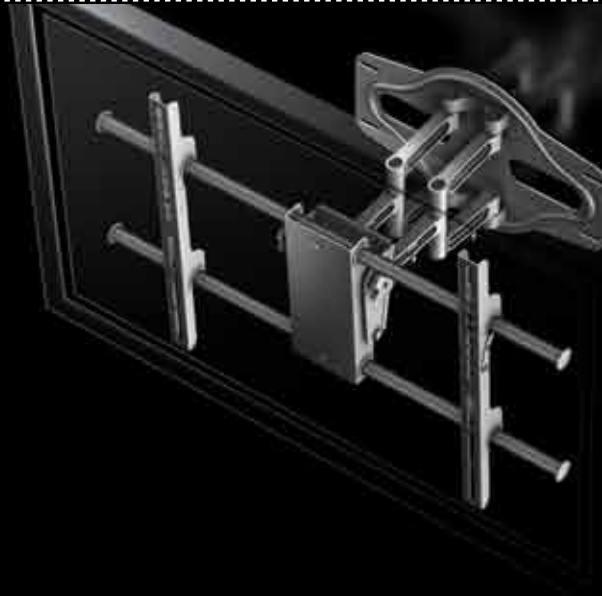


SUREFIX MOUNT SYSTEM

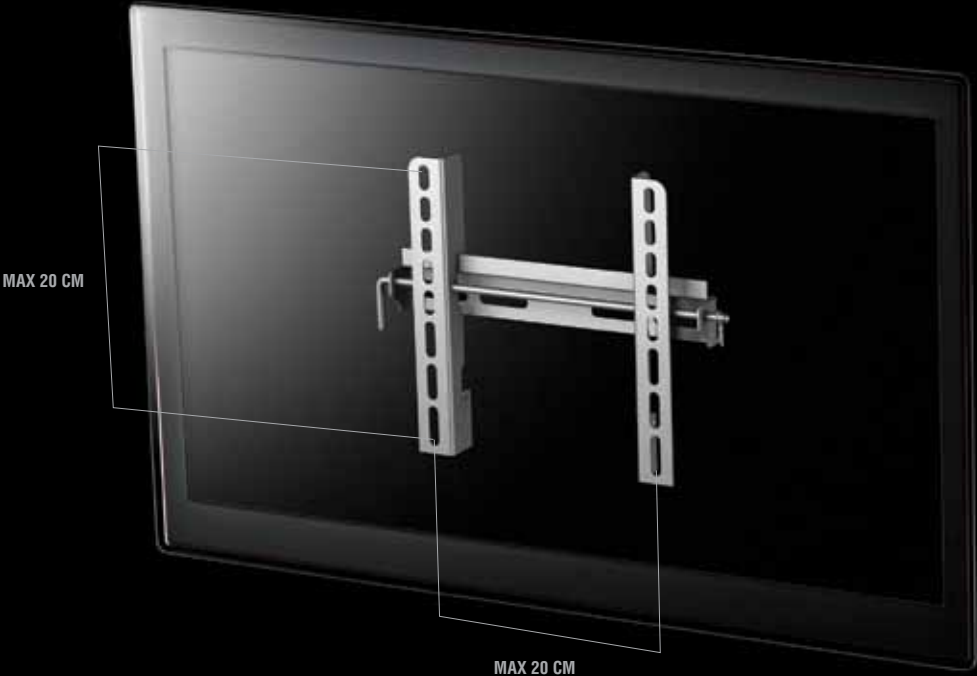
Sonorous provides audio&video related products with focus on quality, functionality and aesthetics. Founded in 2004, a solid position and reputation worldwide has been built up over the years. Now represented worldwide in more than 50 countries via strong partnerships with a global network of distributors.

Our products are engineered to meet the demanding needs of today's electronics and represent an attentive monitoring of market trends and changes. Continuous research into materials and finishes has been distinguishing characteristics of Sonorous.



FIXED

FLAT PANEL SLIM MOUNTS



SUREFIX 132

SCREEN SIZE: 22" / 37"

MAX. LOAD: 40 KG

DISTANCE TO WALL: 29 MM



VESA IS A REGISTERED TRADE MARK OF VIDEO ELECTRONICS STANDARDS ASSOCIATION



SUREFIX 142

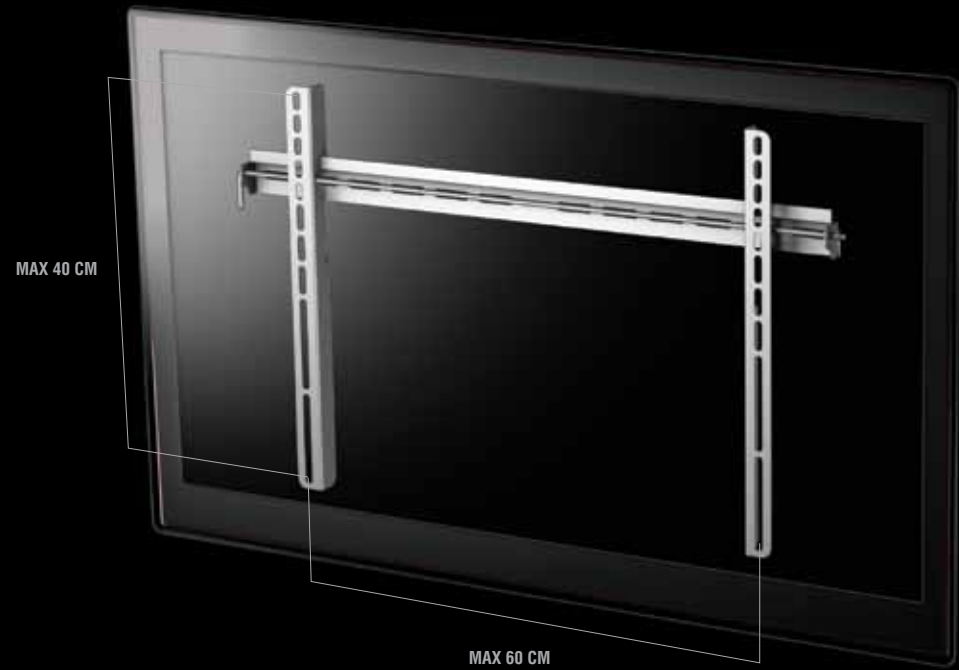
SCREEN SIZE: 26" / 50"

MAX. LOAD: 50 KG

DISTANCE TO WALL: 29 MM



VESA IS A REGISTERED TRADE MARK OF VIDEO ELECTRONICS STANDARDS ASSOCIATION



MAX 40 CM

MAX 60 CM

SUREFIX 152

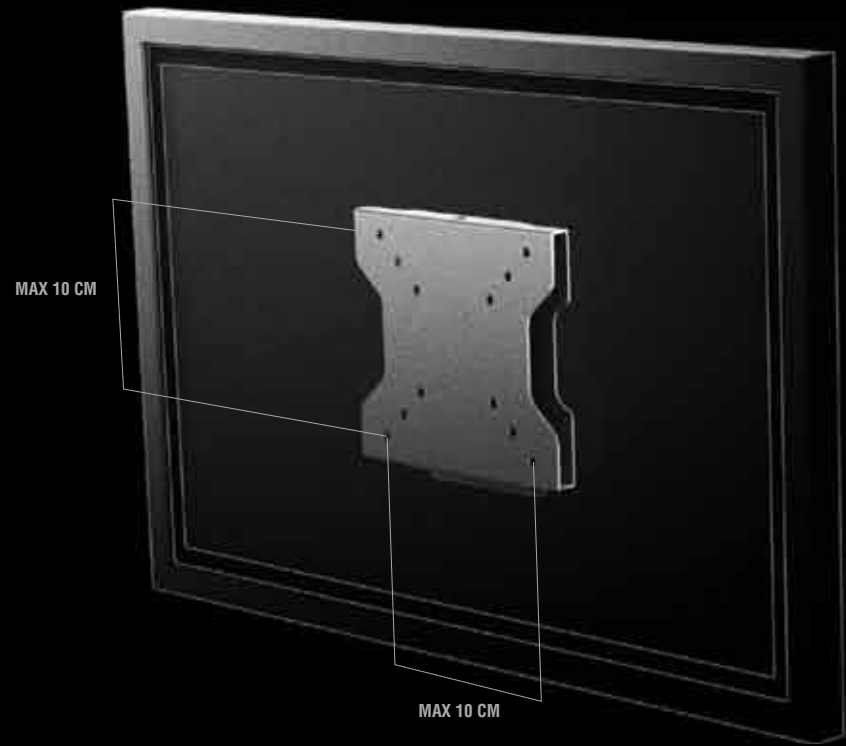
SCREEN SIZE: 40" / 55"

MAX. LOAD: 60 KG

DISTANCE TO WALL: 29 MM

- 
 UNIVERSAL
- 
 LIFETIME WARRANTY
- 
 ALL HARDWARE INCLUDED
- 
 FALL PROOF
- 
 VESA 200x200
 400x400, 600x400

VESA IS A REGISTERED TRADE MARK OF VIDEO ELECTRONICS STANDARDS ASSOCIATION



MAX 10 CM

MAX 10 CM

SUREFIX 210

SCREEN SIZE: 16" / 26"

MAX. LOAD: 20 KG

DISTANCE TO WALL: 19 MM

- 
 UNIVERSAL
- 
 LIFETIME WARRANTY
- 
 ALL HARDWARE INCLUDED
- 
 FALL PROOF
- 
 VESA 50x50
 75x75, 100x100

VESA IS A REGISTERED TRADE MARK OF VIDEO ELECTRONICS STANDARDS ASSOCIATION



SUREFIX 211

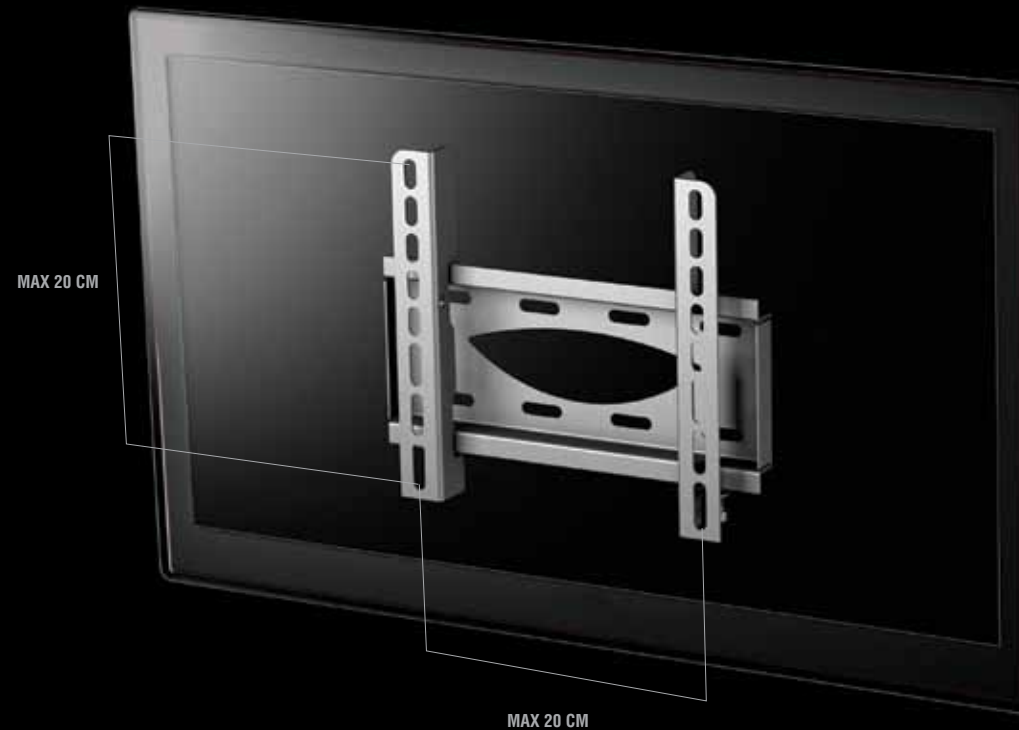
SCREEN SIZE: 22" / 37"

MAX. LOAD: 25 KG

DISTANCE TO WALL: 18 MM



VESA IS A REGISTERED TRADE MARK OF VIDEO ELECTRONICS STANDARDS ASSOCIATION



SUREFIX 220

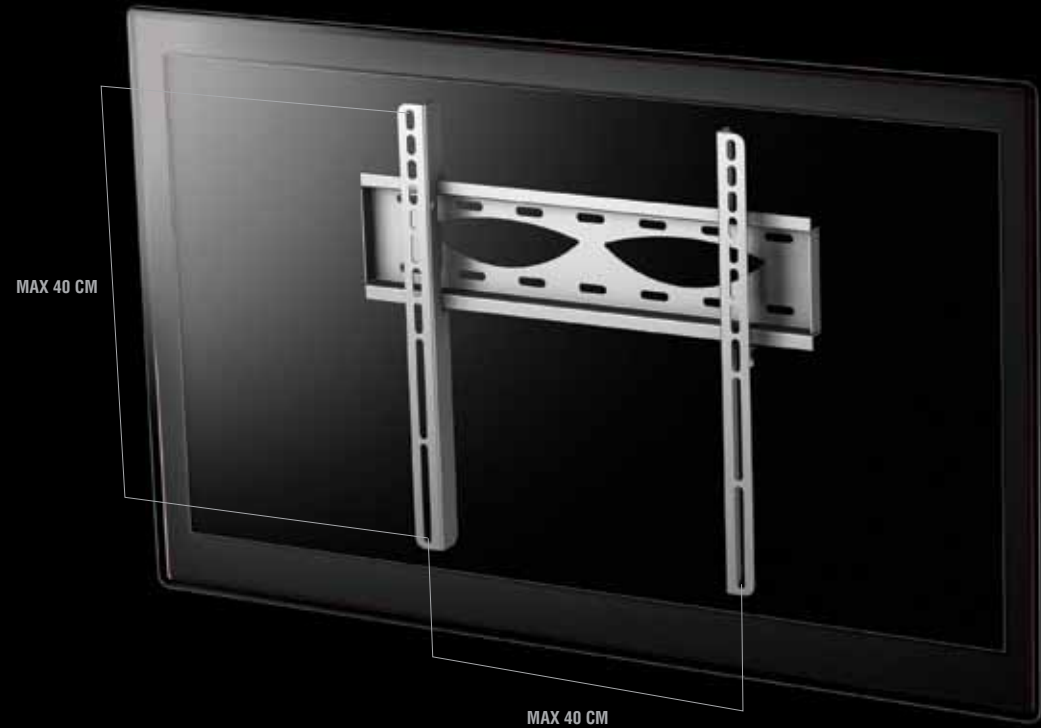
SCREEN SIZE: 22" / 37"

MAX. LOAD: 40 KG

DISTANCE TO WALL: 36 MM



VESA IS A REGISTERED TRADE MARK OF VIDEO ELECTRONICS STANDARDS ASSOCIATION



SUREFIX 230

SCREEN SIZE: 32" / 50"

MAX. LOAD: 50 KG

DISTANCE TO WALL: 36 MM



UNIVERSAL



LIFETIME WARRANTY



ALL HARDWARE INCLUDED

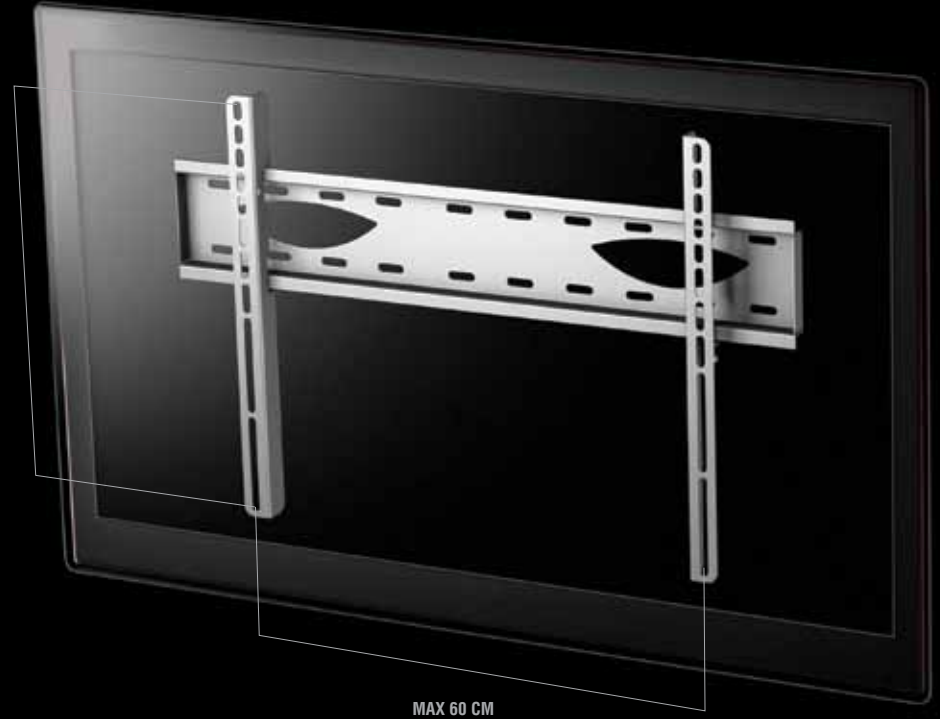


FALL PROOF



VESA 200x200
400x200, 400x400

VESA IS A REGISTERED TRADE MARK OF VIDEO ELECTRONICS STANDARDS ASSOCIATION



SUREFIX 235

SCREEN SIZE: 32" / 55"

MAX. LOAD: 60 KG

DISTANCE TO WALL: 36 MM



UNIVERSAL



LIFETIME WARRANTY



ALL HARDWARE INCLUDED

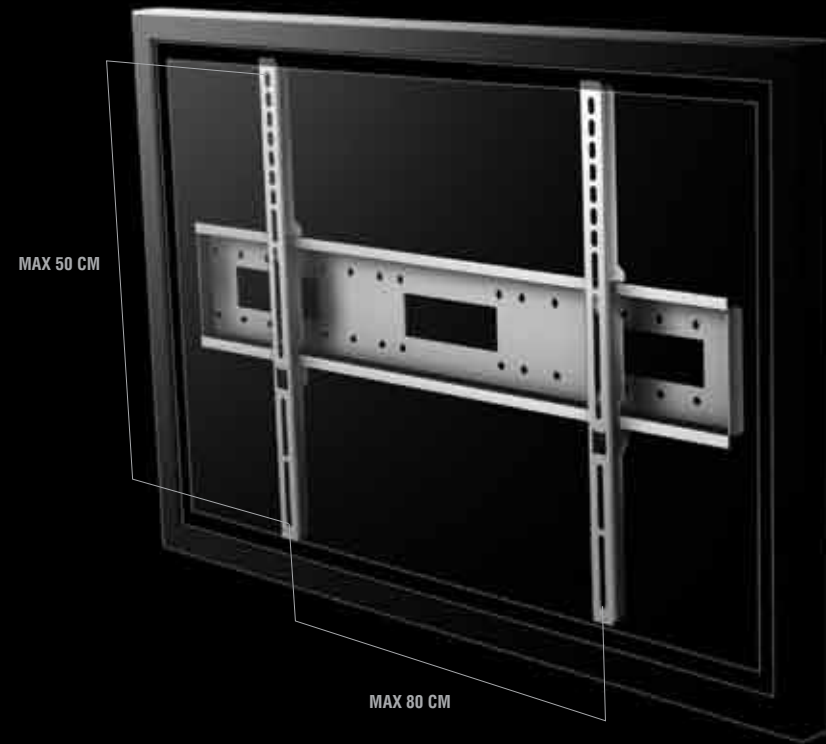


FALL PROOF



VESA 200x200
400x400, 600x400

VESA IS A REGISTERED TRADE MARK OF VIDEO ELECTRONICS STANDARDS ASSOCIATION



SUREFIX 240

SCREEN SIZE: 40" / 65"

MAX. LOAD: 70 KG

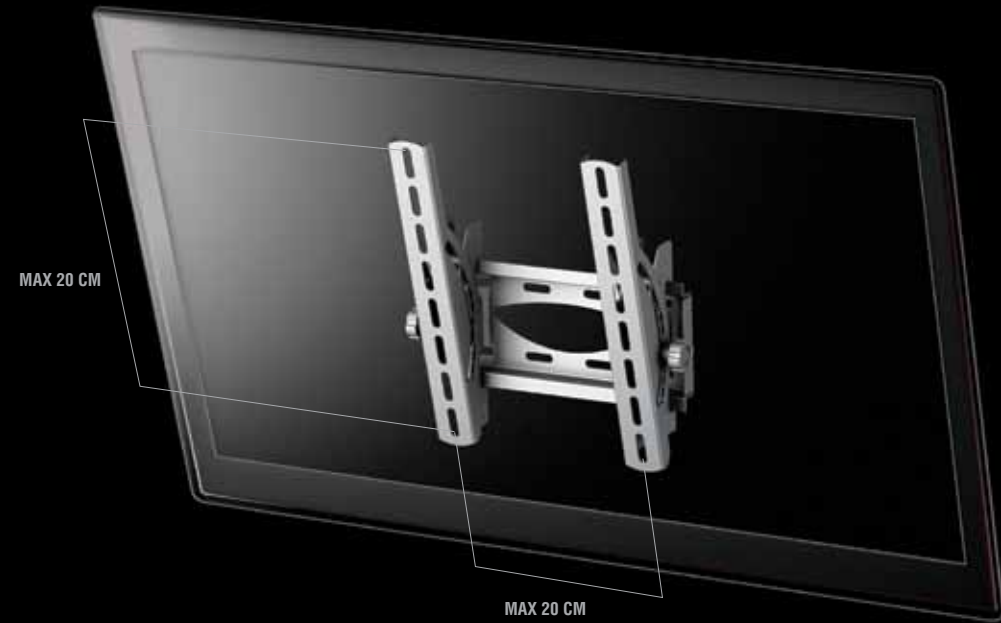
DISTANCE TO WALL: 36 MM



VESA IS A REGISTERED TRADE MARK OF VIDEO ELECTRONICS STANDARDS ASSOCIATION

TILT

FLAT PANEL TILTING MOUNTS



SUREFIX 320

SCREEN SIZE: 22" / 37"

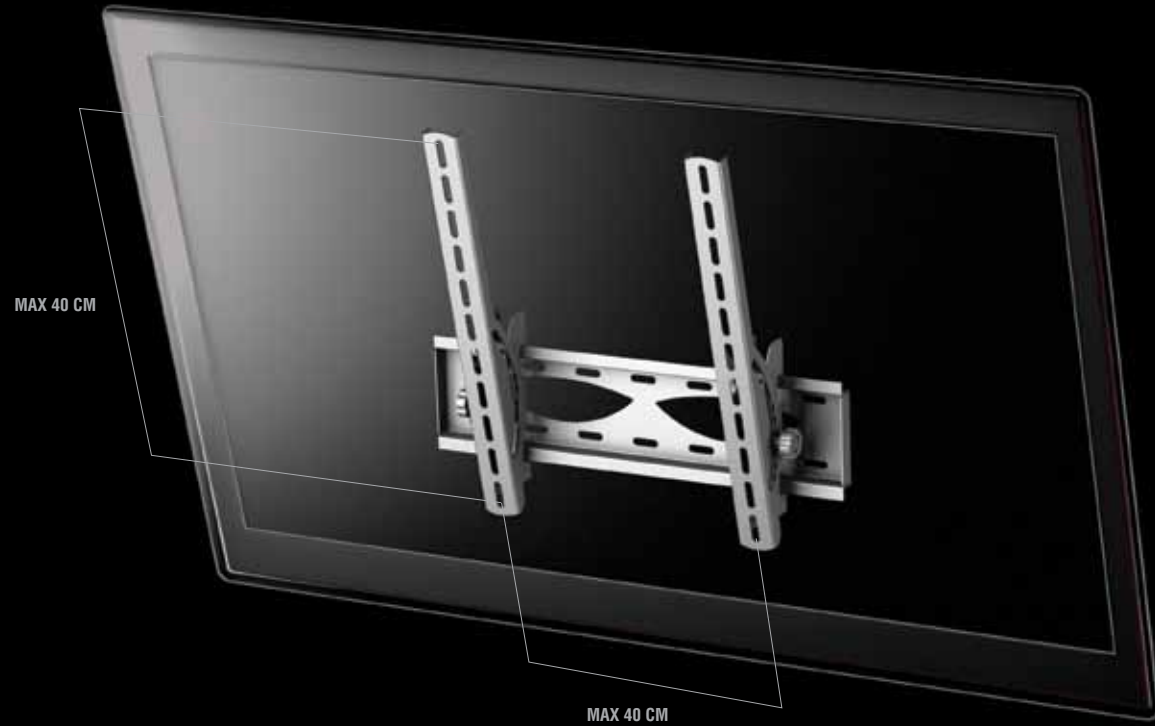
MAX. LOAD: 30 KG

DISTANCE TO WALL: 69 MM

TILT: $\pm 10^\circ$



VESA IS A REGISTERED TRADE MARK OF VIDEO ELECTRONICS STANDARDS ASSOCIATION



MAX 40 CM

MAX 40 CM

SUREFIX 330

SCREEN SIZE: 26" / 50"

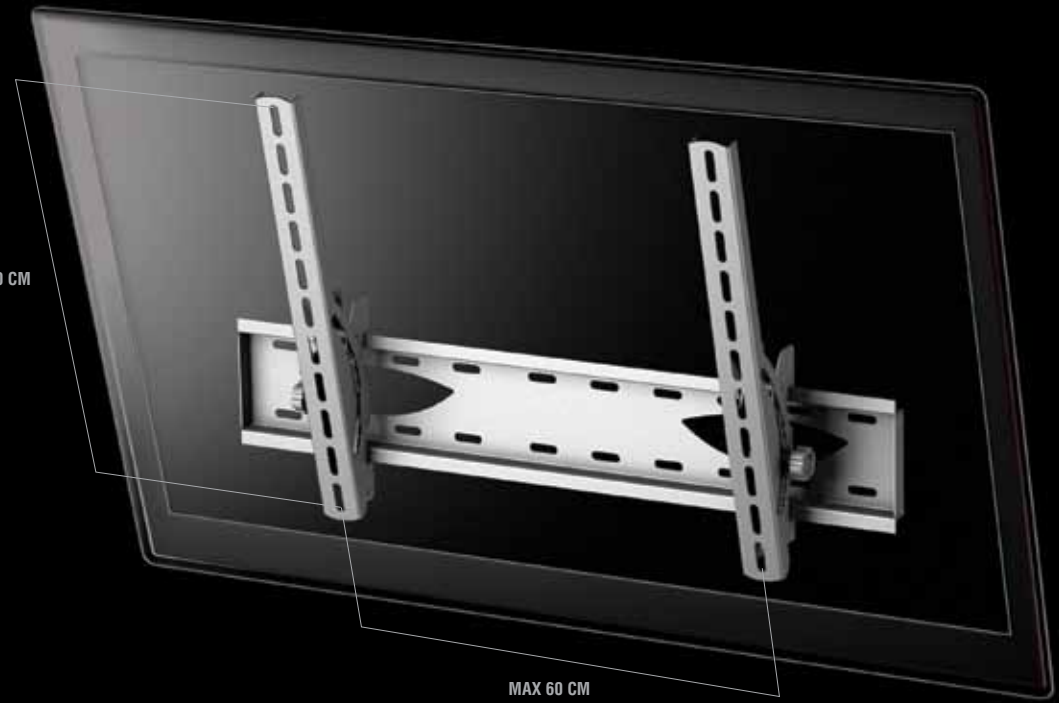
MAX. LOAD: 40 KG

DISTANCE TO WALL: 69 MM

TILT: ±10°



VESA IS A REGISTERED TRADE MARK OF VIDEO ELECTRONICS STANDARDS ASSOCIATION



MAX 40 CM

MAX 60 CM

SUREFIX 335

SCREEN SIZE: 32" / 55"

MAX. LOAD: 50 KG

DISTANCE TO WALL: 69 MM

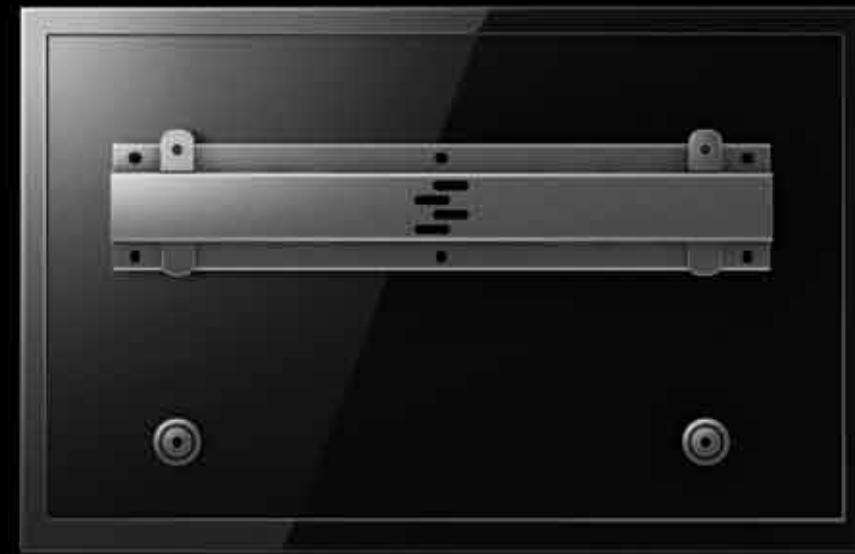
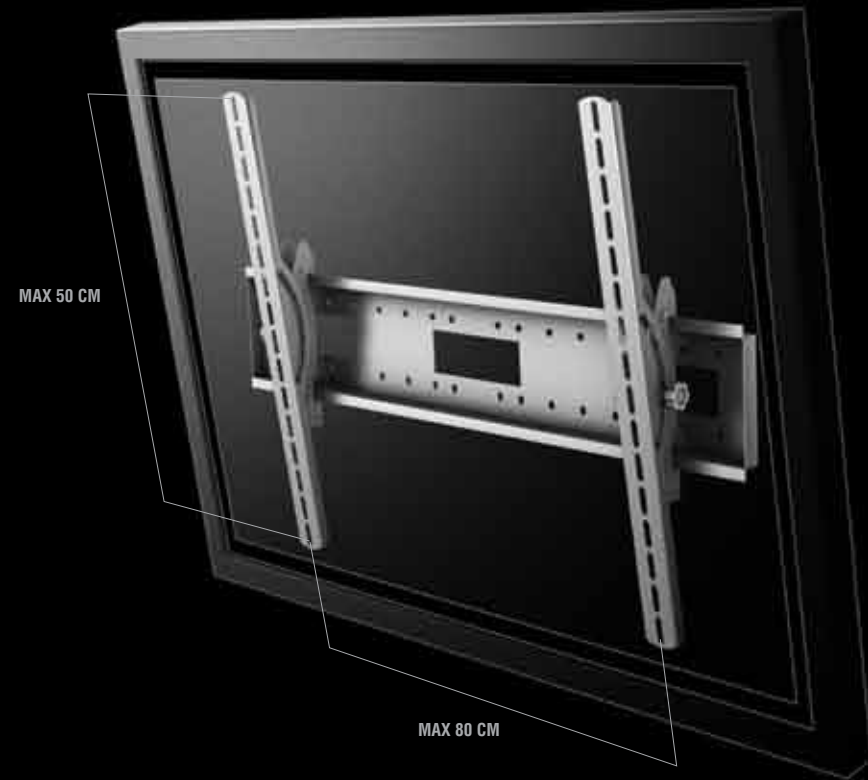
TILT: ±10°



VESA IS A REGISTERED TRADE MARK OF VIDEO ELECTRONICS STANDARDS ASSOCIATION

SLIM

FLAT PANEL SUPER SLIM MOUNTS



FRONT



SIDE

SUREFIX 340

SCREEN SIZE: 40" / 65"

MAX. LOAD: 60 KG

DISTANCE TO WALL: 64 MM

TILT: $\pm 10^\circ$



VESA IS A REGISTERED TRADE MARK OF VIDEO ELECTRONICS STANDARDS ASSOCIATION

SUREFIX 410

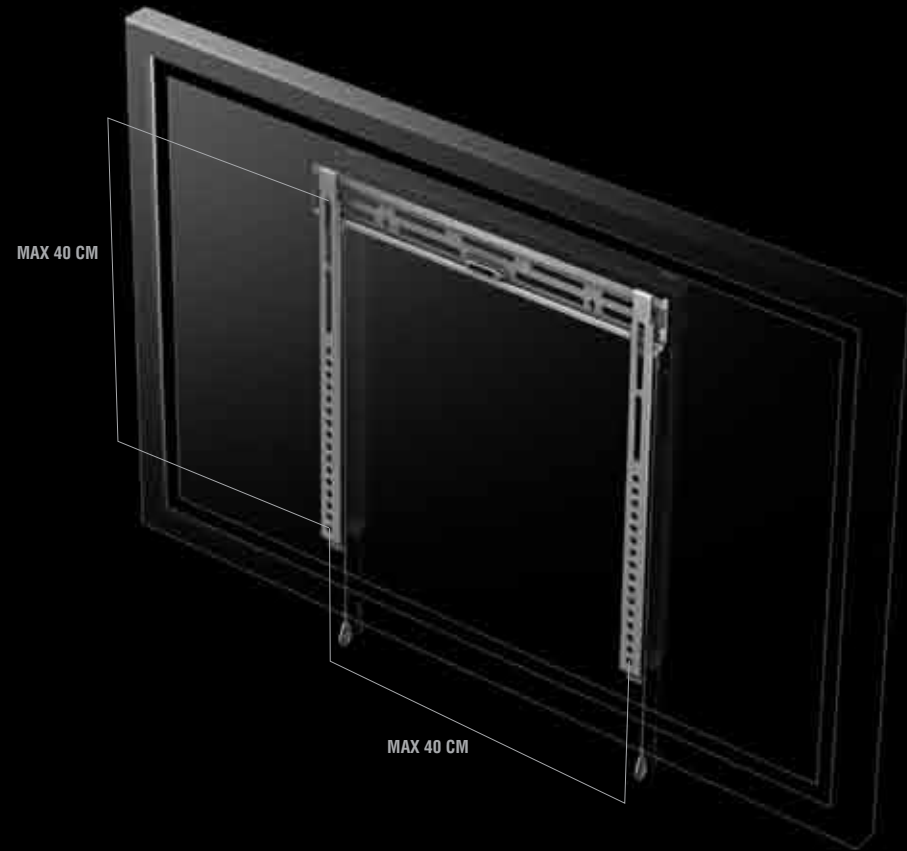
SCREEN SIZE: 26" / 50"

MAX. LOAD: 50 KG

DISTANCE TO WALL: 14 MM



VESA IS A REGISTERED TRADE MARK OF VIDEO ELECTRONICS STANDARDS ASSOCIATION



SUREFIX 420

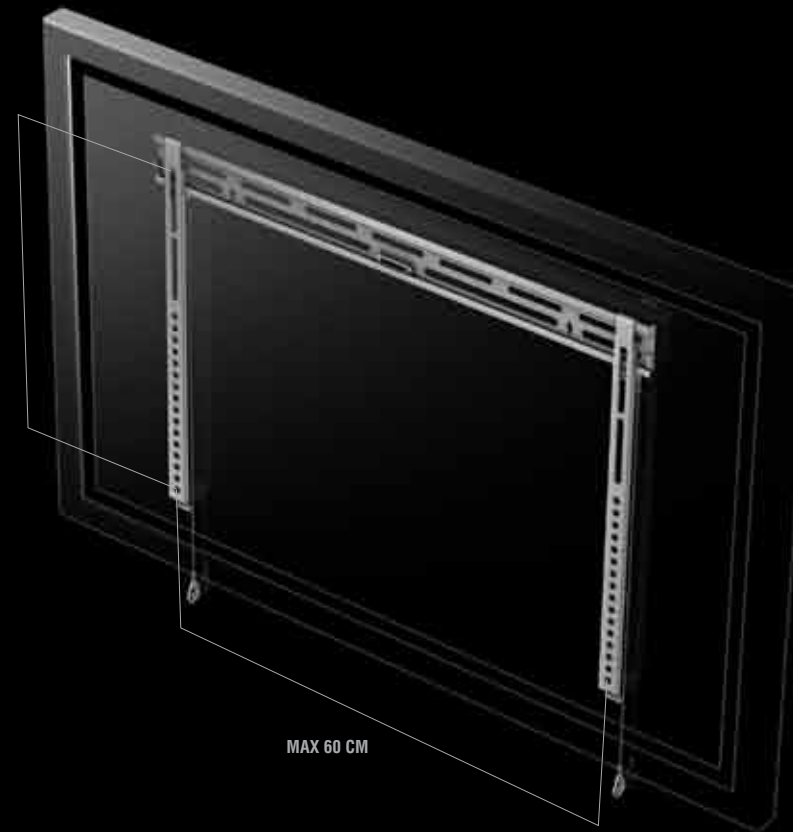
SCREEN SIZE: 23" / 42"

MAX. LOAD: 30 KG

DISTANCE TO WALL: 13 MM



VESA IS A REGISTERED TRADE MARK OF VIDEO ELECTRONICS STANDARDS ASSOCIATION



SUREFIX 421

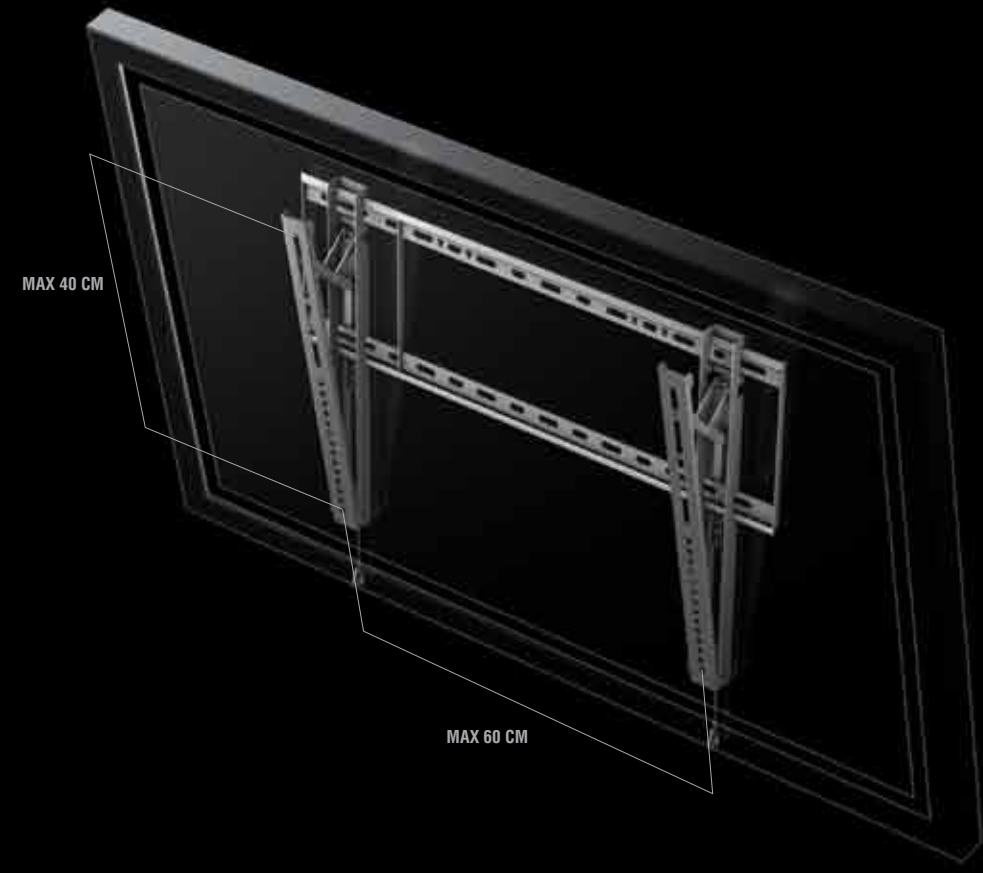
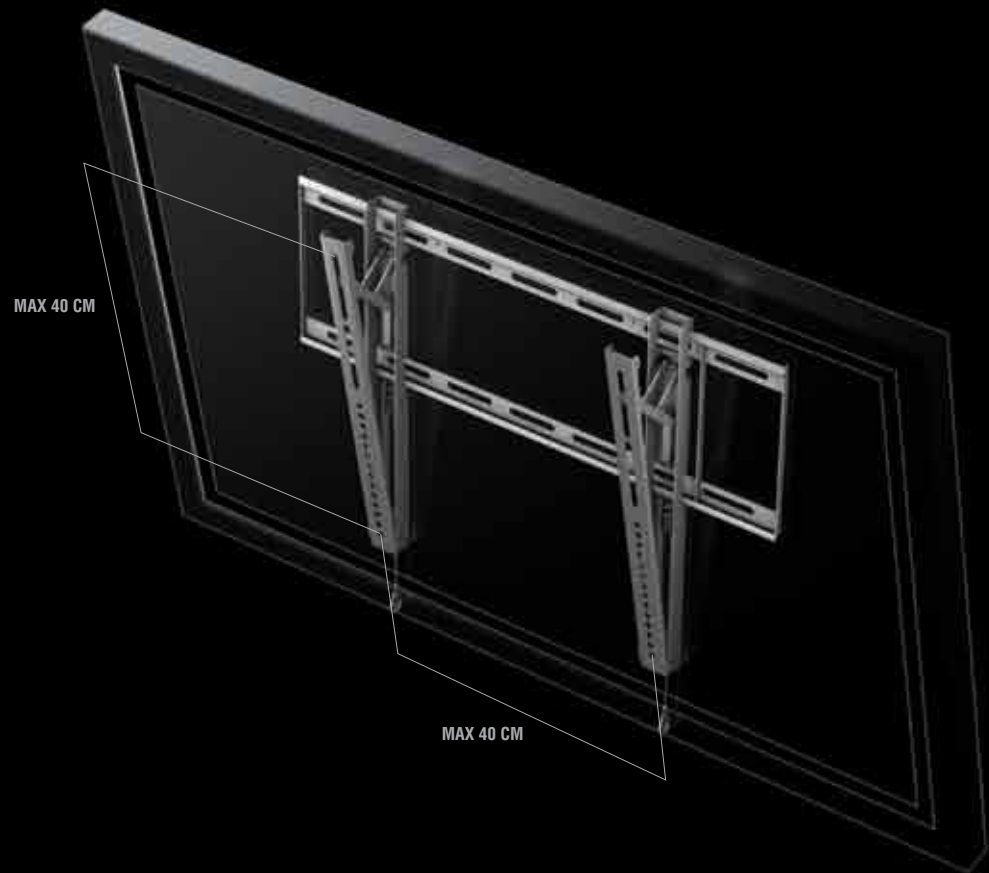
SCREEN SIZE: 32" / 55"

MAX. LOAD: 40 KG

DISTANCE TO WALL: 13 MM



VESA IS A REGISTERED TRADE MARK OF VIDEO ELECTRONICS STANDARDS ASSOCIATION



SUREFIX 430

SCREEN SIZE: 23" / 42"

MAX. LOAD: 30 KG

DISTANCE TO WALL: 25 MM

TILT: -10°



VESA IS A REGISTERED TRADE MARK OF VIDEO ELECTRONICS STANDARDS ASSOCIATION

SUREFIX 431

SCREEN SIZE: 32" / 55"

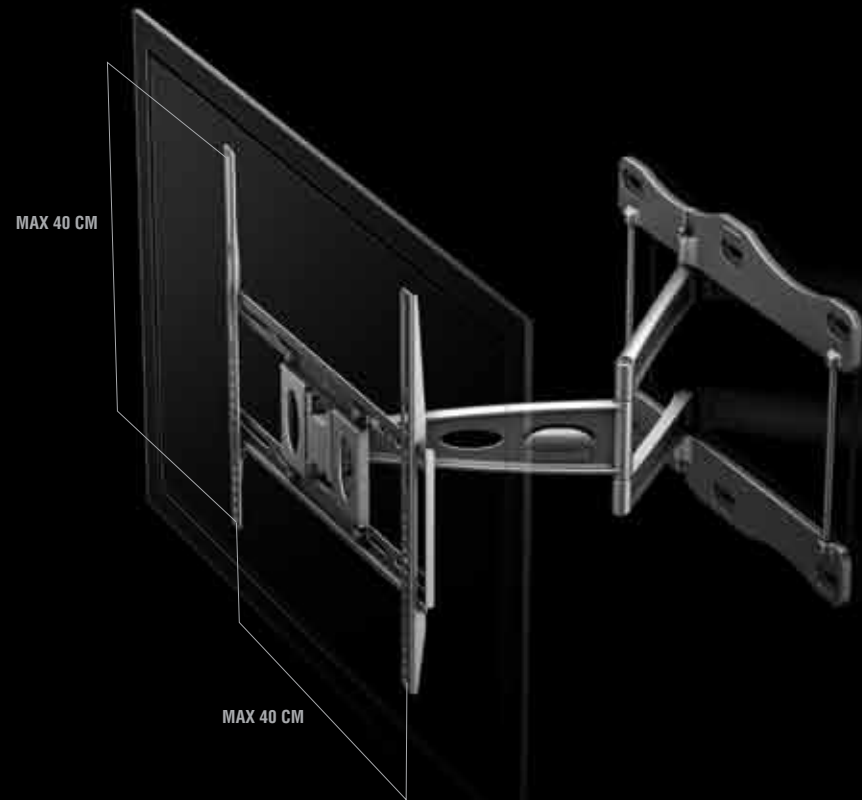
MAX. LOAD: 40 KG

DISTANCE TO WALL: 25 MM

TILT: -10°



VESA IS A REGISTERED TRADE MARK OF VIDEO ELECTRONICS STANDARDS ASSOCIATION



MAX 40 CM

MAX 40 CM

SUREFIX 450

SCREEN SIZE: 26" / 50"

MAX. LOAD: 20 KG

DISTANCE TO WALL: 37-536 MM

TILT: $\pm 10^\circ$

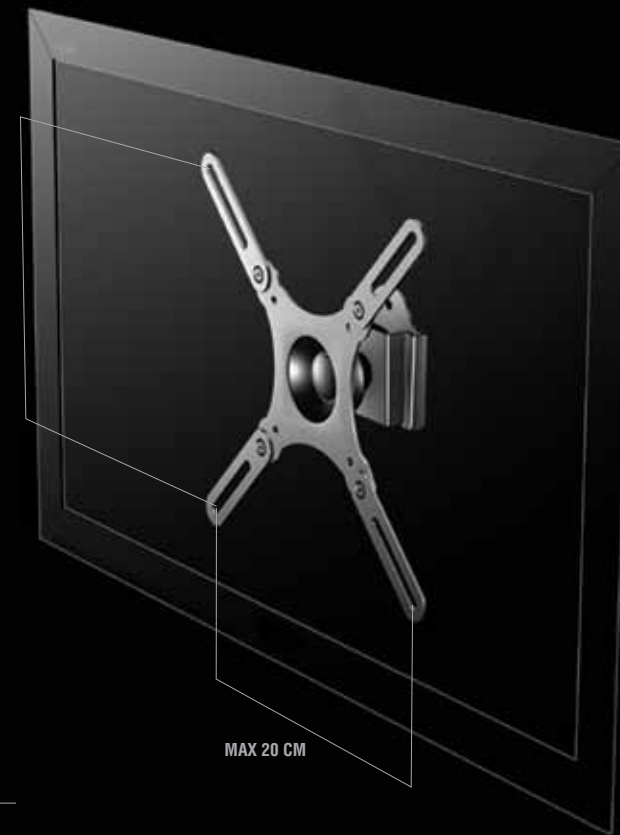
SWIVEL: 120°



VESA IS A REGISTERED TRADE MARK OF VIDEO ELECTRONICS STANDARDS ASSOCIATION

OMNI-MOVE

FLAT PANEL ARTICULATING MOUNTS



MAX 20 CM

MAX 20 CM

SUREFIX 505

SCREEN SIZE: 27" / 37"

MAX. LOAD: 24 KG

DISTANCE TO WALL: 56 MM

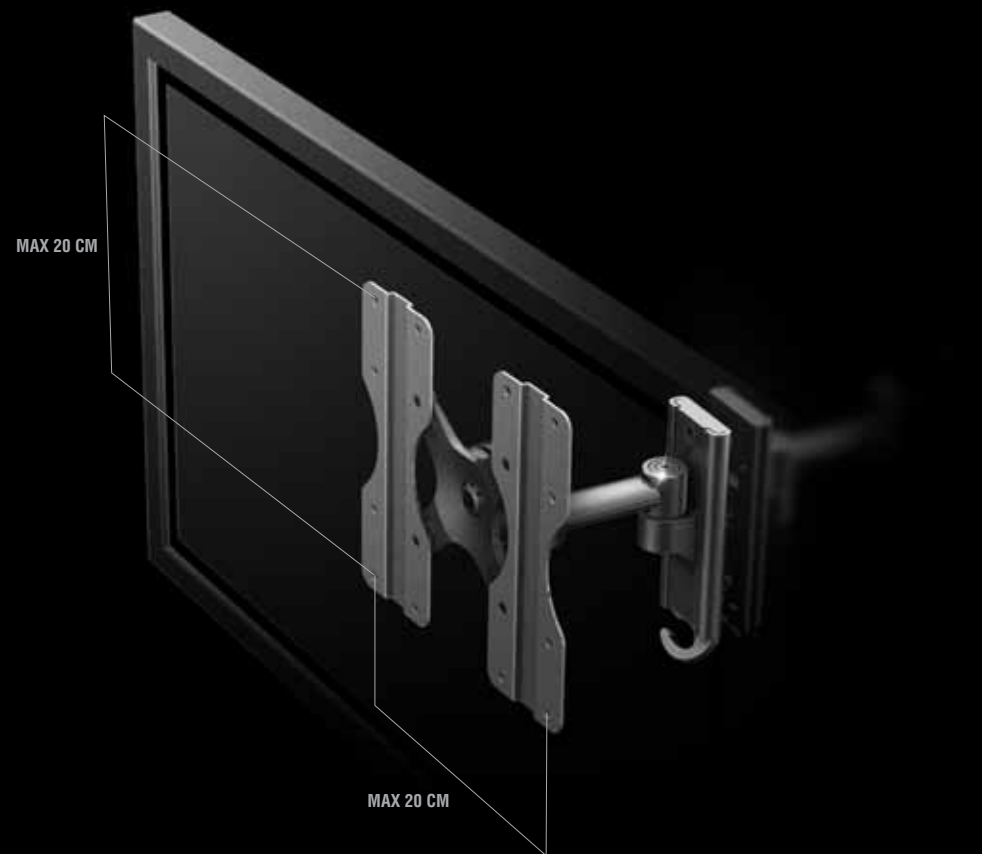
TILT: $\pm 15^\circ$

SWIVEL: 15°

ROTATE: 360°



VESA IS A REGISTERED TRADE MARK OF VIDEO ELECTRONICS STANDARDS ASSOCIATION



SUREFIX 510

SCREEN SIZE: 16" / 37"

MAX. LOAD: 25 KG

DISTANCE TO WALL: 82-186 MM

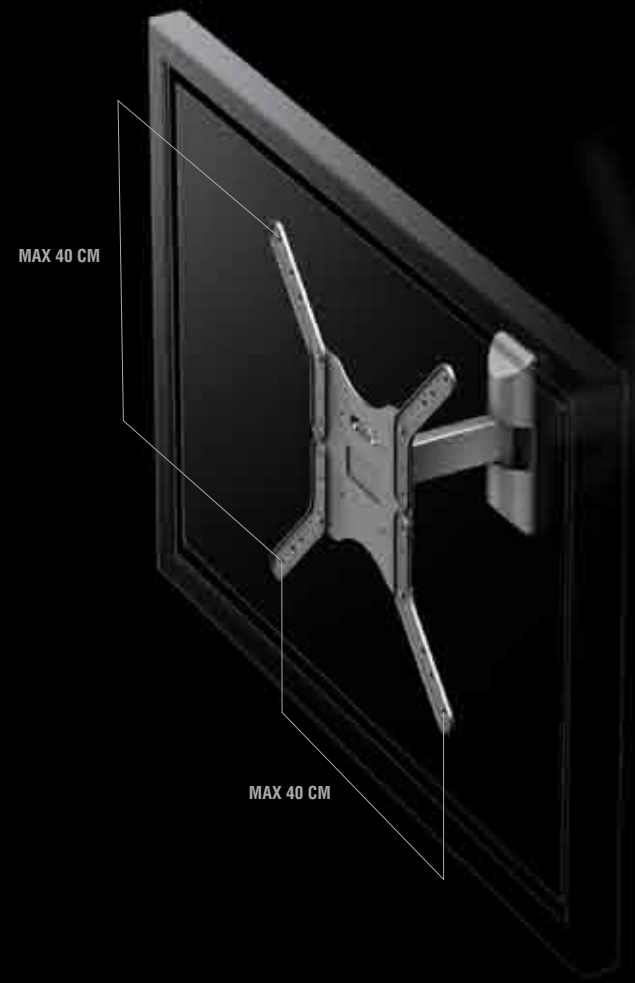
TILT: $\pm 14^\circ$

SWIVEL: 180°

ROTATE: 360°



VESA IS A REGISTERED TRADE MARK OF VIDEO ELECTRONICS STANDARDS ASSOCIATION



SUREFIX 511

SCREEN SIZE: 26" / 50"

MAX. LOAD: 36 KG

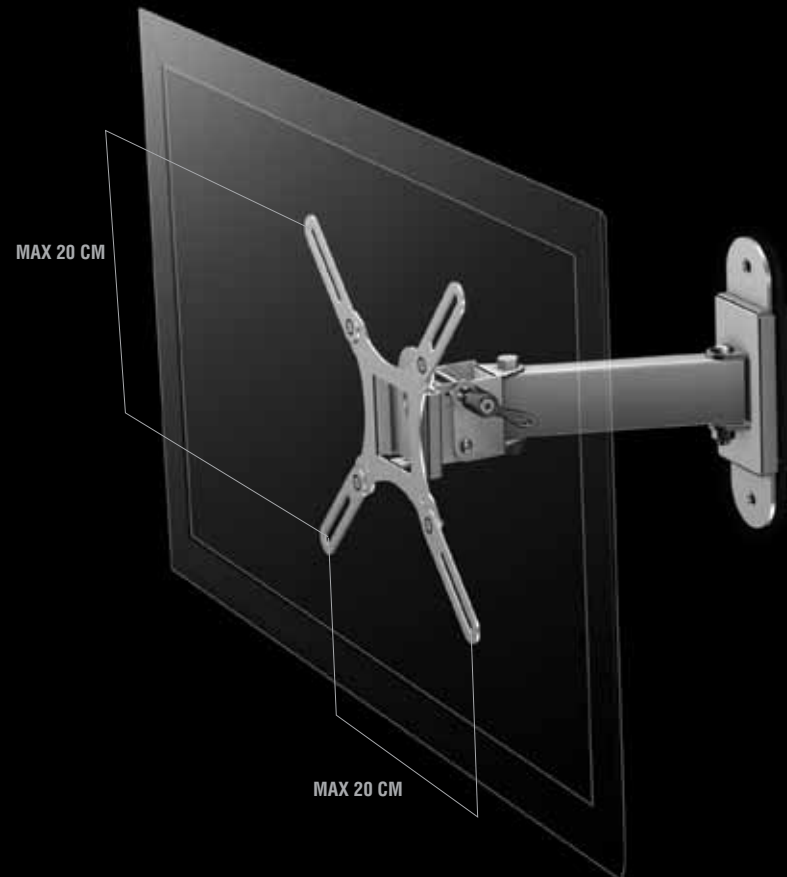
DISTANCE TO WALL: 54.5-211 MM

TILT: $(-2^\circ/+10^\circ)$

SWIVEL: 180°



VESA IS A REGISTERED TRADE MARK OF VIDEO ELECTRONICS STANDARDS ASSOCIATION



SUREFIX 512

SCREEN SIZE: 22" / 37"

MAX. LOAD: 15 KG

DISTANCE TO WALL: 102-243 MM

TILT: (+10°/-15°)

SWIVEL: 180°



VESA IS A REGISTERED TRADE MARK OF VIDEO ELECTRONICS STANDARDS ASSOCIATION



SUREFIX 513

SCREEN SIZE: 22" / 37"

MAX. LOAD: 25 KG

DISTANCE TO WALL: 105-195 MM

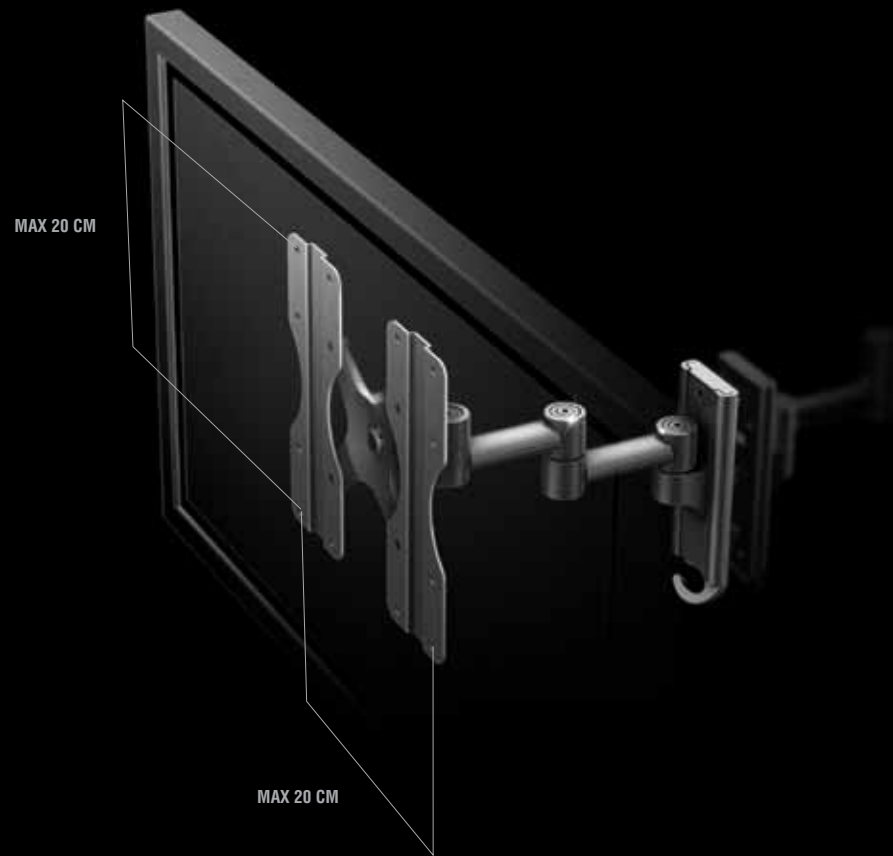
TILT: ±15°

SWIVEL: 180°

ROTATE: 360°



VESA IS A REGISTERED TRADE MARK OF VIDEO ELECTRONICS STANDARDS ASSOCIATION



SUREFIX 520

SCREEN SIZE: 22" / 37"

MAX. LOAD: 25 KG

DISTANCE TO WALL: 93-276 MM

TILT: $\pm 14^\circ$

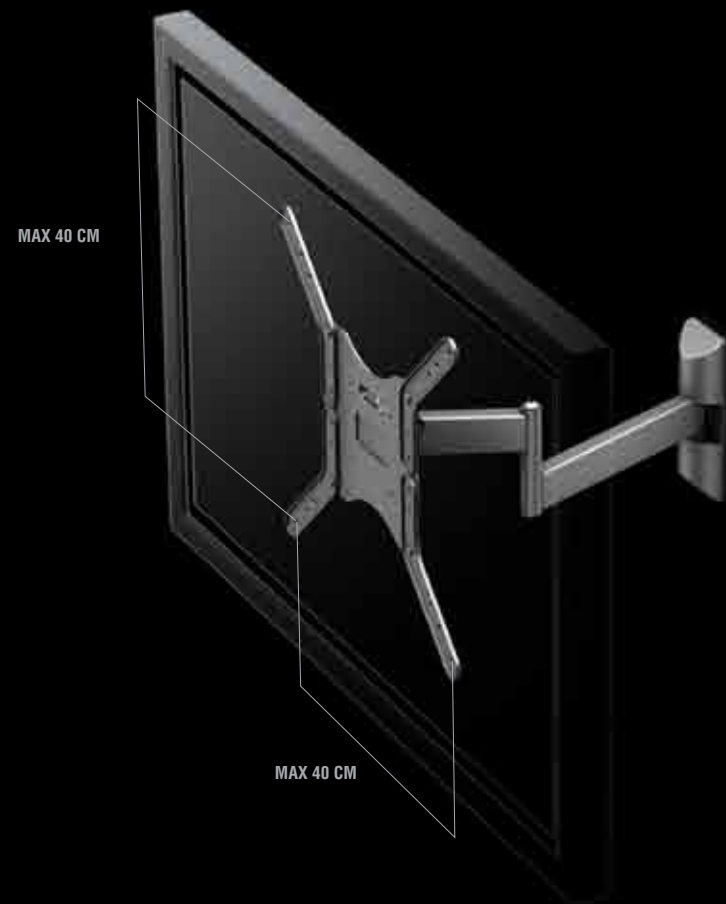
SWIVEL: 180°

ROTATE: 360°



VESA IS A REGISTERED TRADE MARK OF VIDEO ELECTRONICS STANDARDS ASSOCIATION

VESA 75x75
100x100, 200x200



SUREFIX 521

SCREEN SIZE: 26" / 50"

MAX. LOAD: 36 KG

DISTANCE TO WALL: 46.5-501 MM

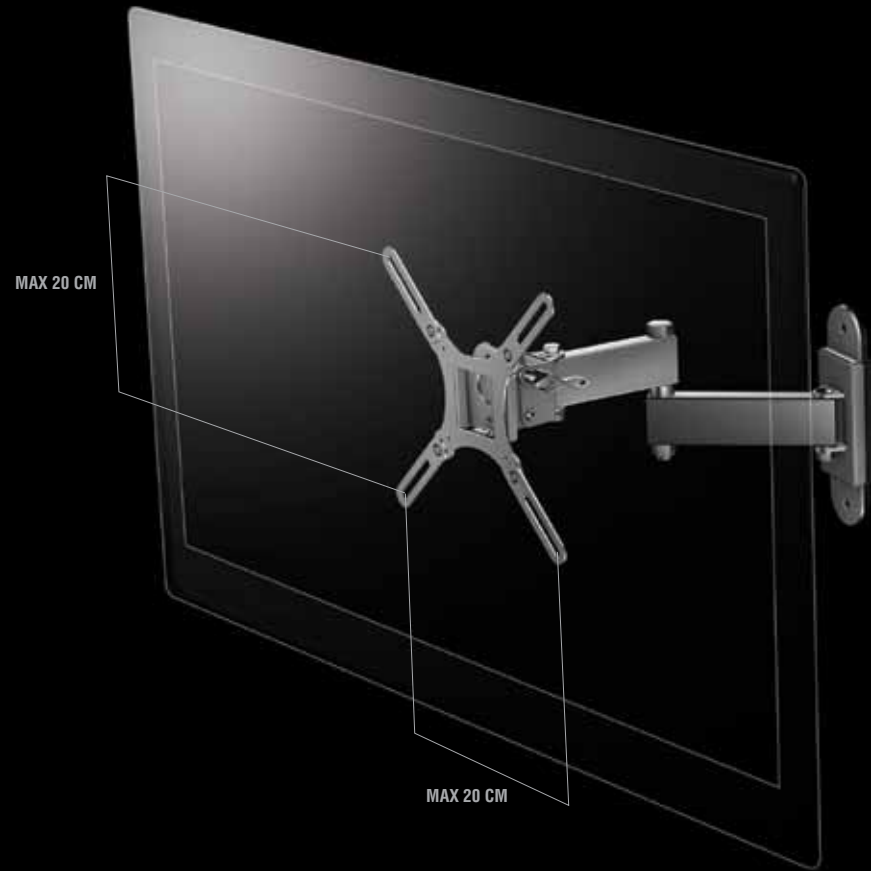
TILT: $(-2^\circ/+10^\circ)$

SWIVEL: 180°



VESA IS A REGISTERED TRADE MARK OF VIDEO ELECTRONICS STANDARDS ASSOCIATION

VESA 200x200
400x200, 400x400



SUREFIX 522

SCREEN SIZE: 22" / 37"

MAX. LOAD: 15 KG

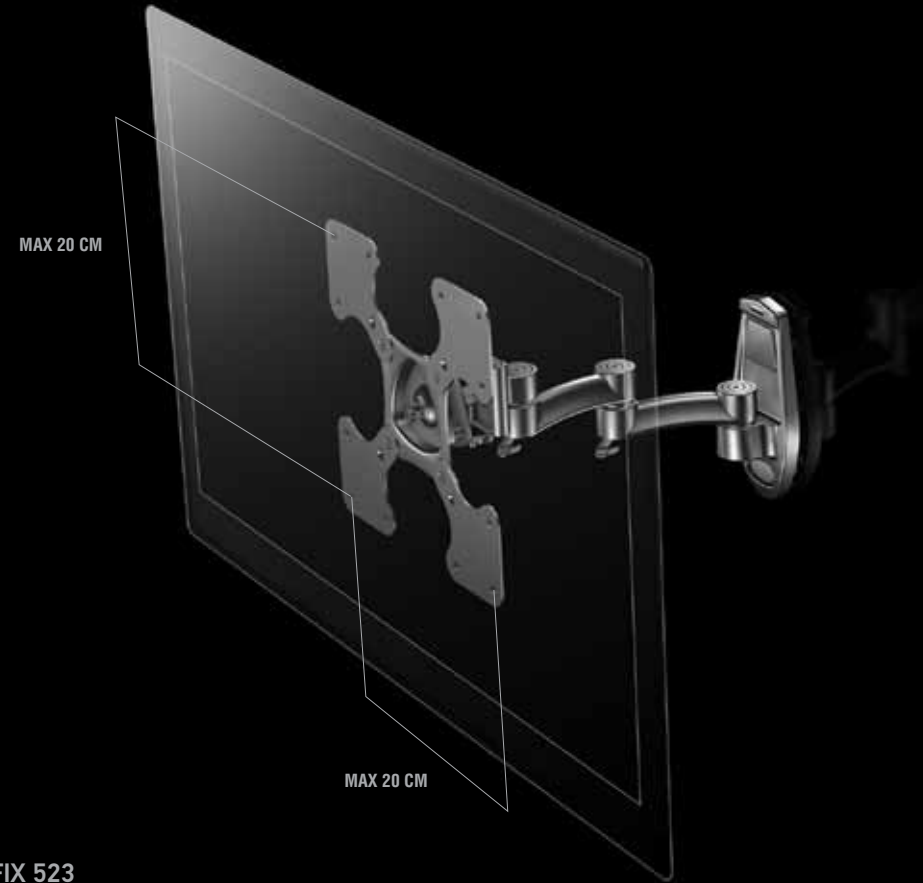
DISTANCE TO WALL: 102-655 MM

TILT: (+10°/-15°)

SWIVEL: 180°



VESA IS A REGISTERED TRADE MARK OF VIDEO ELECTRONICS STANDARDS ASSOCIATION



SUREFIX 523

SCREEN SIZE: 22" / 37"

MAX. LOAD: 25 KG

DISTANCE TO WALL: 105-285 MM

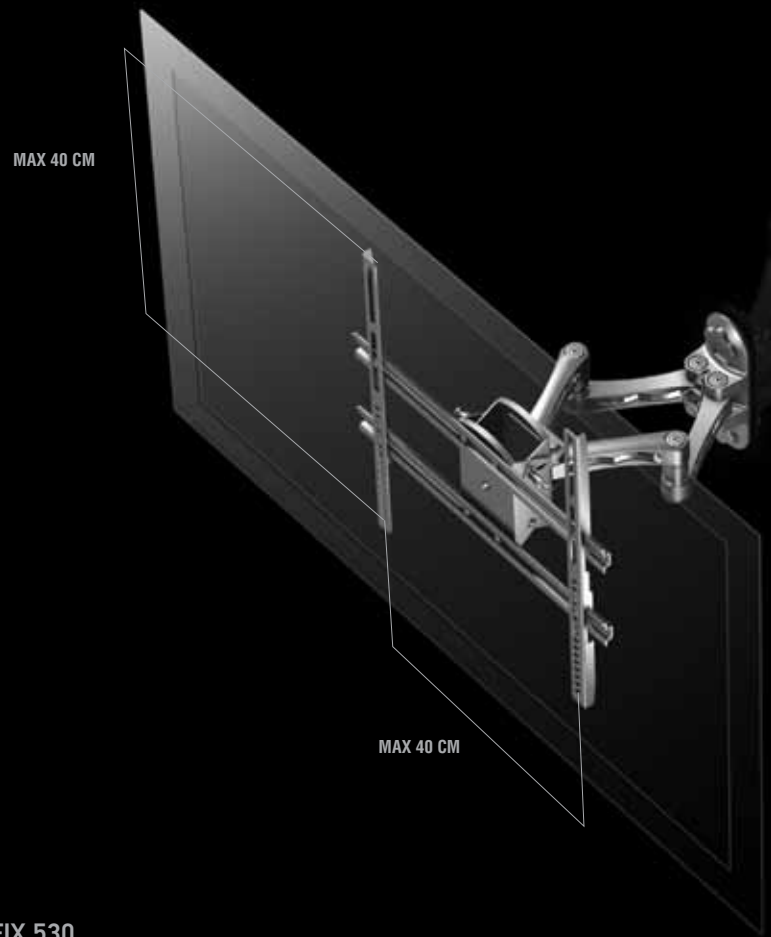
TILT: ±15°

SWIVEL: 180°

ROTATE: 360°



VESA IS A REGISTERED TRADE MARK OF VIDEO ELECTRONICS STANDARDS ASSOCIATION



SUREFIX 530

SCREEN SIZE: 32" / 50"

MAX. LOAD: 40 KG

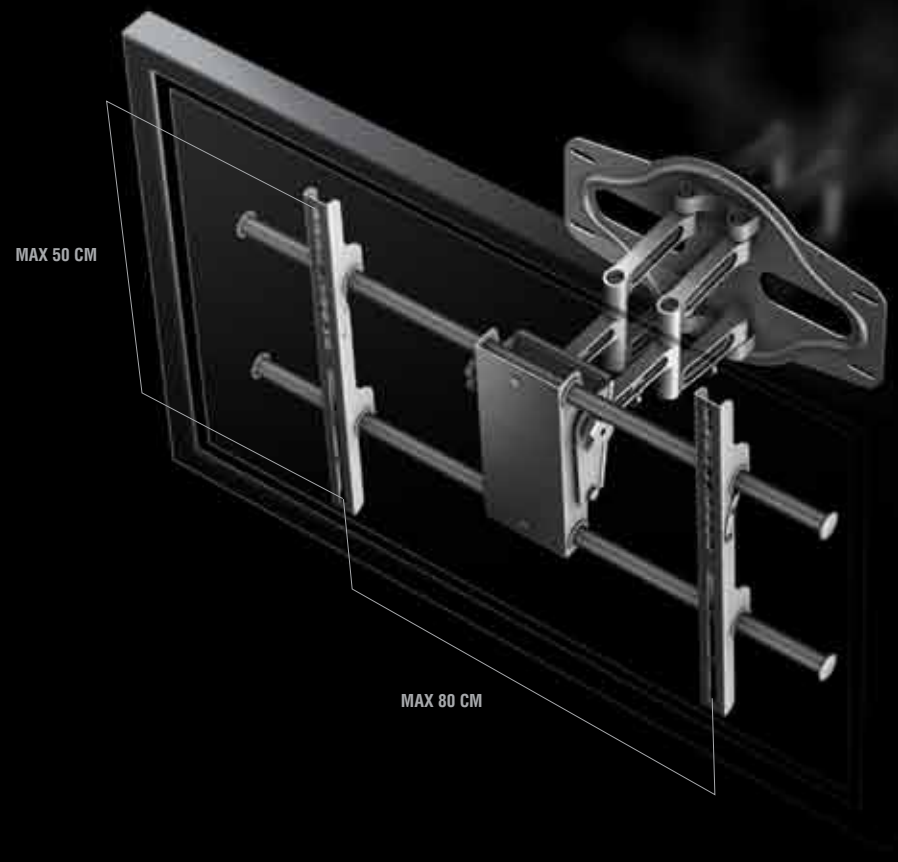
DISTANCE TO WALL: 132-345 MM

TILT: $\pm 15^\circ$

SWIVEL: 180°



VESA IS A REGISTERED TRADE MARK OF VIDEO ELECTRONICS STANDARDS ASSOCIATION



SUREFIX 540

SCREEN SIZE: 37" / 65"

MAX. LOAD: 60 KG

DISTANCE TO WALL: 135-415 MM

TILT: $\pm 15^\circ$

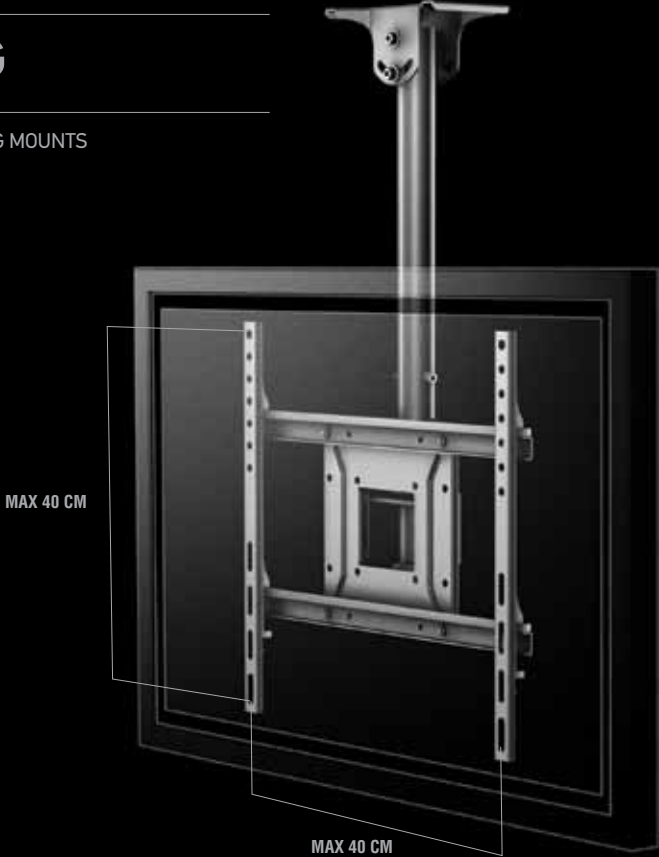
SWIVEL: 90°



VESA IS A REGISTERED TRADE MARK OF VIDEO ELECTRONICS STANDARDS ASSOCIATION

CEILING

FLAT PANEL CEILING MOUNTS



SUREFIX 630

SCREEN SIZE: 32" / 50"

MAX. LOAD: 45 KG

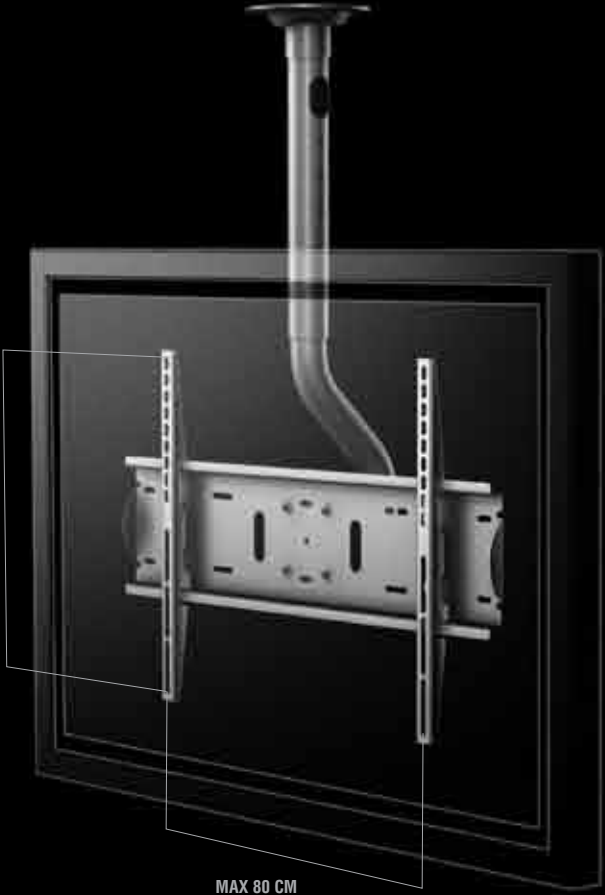
DISTANCE TO CEILING: 560-860 MM

TILT: -15°

SWIVEL: 360°

-15° TILT |
 360° SWIVEL |
 UNI UNIVERSAL |
 LIFETIME WARRANTY |
 ALL HARDWARE INCLUDED |
 FALL PROFF |
 VESA 200x200, 400x200, 400x400

VESA IS A REGISTERED TRADE MARK OF VIDEO ELECTRONICS STANDARDS ASSOCIATION



SUREFIX 640

SCREEN SIZE: 37" / 65"

MAX. LOAD: 75 KG

DISTANCE TO CEILING: 1024-1224 MM

TILT: ±15°

SWIVEL: 130°

±15° TILT |
 130° SWIVEL |
 UNI UNIVERSAL |
 LIFETIME WARRANTY |
 ALL HARDWARE INCLUDED |
 FALL PROFF |
 VESA 800x500

VESA IS A REGISTERED TRADE MARK OF VIDEO ELECTRONICS STANDARDS ASSOCIATION

DESK

MONITOR DESK SUPPORT



SUREFIX 710

MAX. LOAD: 15 KG

TILT: ±15°

SWIVEL: 360°

ROTATE: 360°



VESA IS A REGISTERED TRADE MARK OF VIDEO ELECTRONICS STANDARDS ASSOCIATION

PROJECTOR

PROJECTOR CEILING MOUNTS



22.6 CM

SUREFIX 910

MAX. LOAD: 14 KG

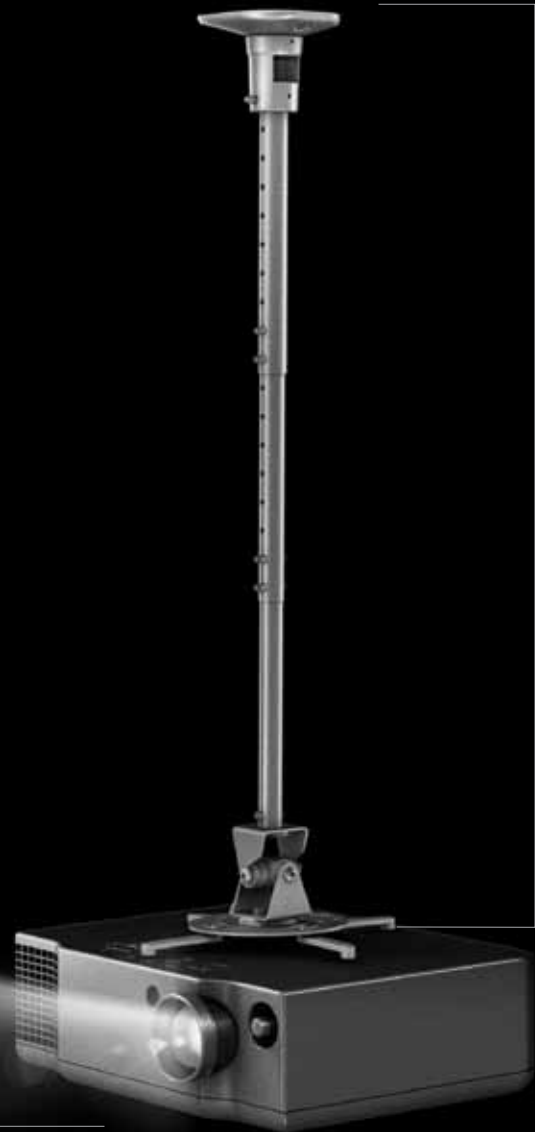
DISTANCE TO CEILING: 226 MM

TILT: ±50°

SWIVEL: 360°



VESA IS A REGISTERED TRADE MARK OF VIDEO ELECTRONICS STANDARDS ASSOCIATION



MIN 22.6 CM
MAX 1132.CM

SUREFIX 920

MAX. LOAD: 14 KG

DISTANCE TO CEILING: 226-1137 MM

TILT: $\pm 50^\circ$

SWIVEL: 360°



VESA IS A REGISTERED TRADE MARK OF VIDEO ELECTRONICS STANDARDS ASSOCIATION

AUDIO & VIDEO WALL SUPPORT



PL 2610 AUDIO & VIDEO WALL SUPPORT

MAX. LOAD: 5 KG

SHELF SIZE: 330x450 MM

GLASS COLOR OPTIONS: CLEAR, BLACK

ALUMINIUM COLOR OPTIONS: SILVER, BLACK



CABLE
MANAGEMENT



SAFETY
GLASS



EASY
ASSEMBLY



PL 2620 AUDIO & VIDEO WALL SUPPORT

MAX. LOAD (EACH SHELF): 5 KG

SHELF SIZE: 330x450 MM

GLASS COLOR OPTIONS: CLEAR, BLACK

ALUMINIUM COLOR OPTIONS: SILVER, BLACK



CABLE
MANAGEMENT



SAFETY
GLASS



EASY
ASSEMBLY

CC 50 CM / CC 100 CM AUDIO & VIDEO WALL SUPPORT

HEIGHT: 50 CM / 100 CM

ALUMINIUM COLOR OPTIONS: SILVER, BLACK



CABLE
MANAGEMENT



EASY
ASSEMBLY

SONOROUS ESSENTIALS

Sonorous Essentials are designed and manufactured to support all demands of newest technology. Highest standards and universal specifications are considered in every detail, making life easier and more convenient.



HDMI FLEX



HDMI 19 PIN-M TO HDMI 19 PIN-M

HDMI v1.4 COMPLIANT, SUPPORTS 1080P

100% TRIPLE SHIELD

BLACK COLOR NYLON JACKET

24 K GOLD PLATED CONNECTORS

OXYGEN FREE COPPER CONDUCTORS

180° FLEXIBILITY

PLASTIC SHELL

1.5 M & 2 M LENGTH



HDMI FLAT



HDMI 19 PIN-M TO HDMI 19 PIN-M

HDMI v1.4 COMPLIANT, SUPPORTS 1080P

100% TRIPLE SHIELD

24 K GOLD PLATED CONNECTORS

OXYGEN FREE COPPER CONDUCTORS

FLAT CABLE

METALLIC SHELL

1.5 M & 2 M LENGTH



HDMI SILVER



HDMI 19 PIN-M TO HDMI 19 PIN-M

HDMI v1.4 COMPLIANT, SUPPORTS 1080P

100% TRIPLE SHIELD

SILVER COLOR NYLON JACKET

24 K GOLD PLATED CONNECTORS

OXYGEN FREE COPPER CONDUCTORS

PLASTIC SHELL

1.5 M & 2 M LENGTH



GAME
CONSOLE



DVD / BLU-RAY
PLAYER



HDTV / HD CABLE
SATELLITE BOX



DVDR / HDD



AV RECEIVER



ETHERNET
IPTV



3D TV
3D BLU-RAY

HDMI BLACK



HDMI 19 PIN-M TO HDMI 19 PIN-M

HDMI v1.4 COMPLIANT, SUPPORTS 1080P

100% TRIPLE SHIELD

BLACK COLOR NYLON JACKET

24 K GOLD PLATED CONNECTORS

OXYGEN FREE COPPER CONDUCTORS

HIGH GLOSS METALLIC SHELL

1.5 M & 2 M & 3 M LENGTH



GAME
CONSOLE



DVD / BLU-RAY
PLAYER



HDTV / HD CABLE
SATELLITE BOX



DVDR / HDD



AV RECEIVER



ETHERNET
IPTV



3D TV
3D BLU-RAY

HDMI NEO



HDMI 19 PIN-M TO HDMI 19 PIN-M

HDMI v1.4 COMPLIANT, SUPPORTS 1080P

100% TRIPLE SHIELD

BLACK COLOR NYLON JACKET

24 K GOLD PLATED CONNECTORS

OXYGEN FREE COPPER CONDUCTORS

PLASTIC SHELL

1.5 M LENGTH



GAME
CONSOLE



DVD / BLU-RAY
PLAYER



HDTV / HD CABLE
SATELLITE BOX



DVDR / HDD



AV RECEIVER



ETHERNET
IPTV



3D TV
3D BLU-RAY

HDMI EVO



HDMI 19 PIN-M TO HDMI 19 PIN-M

HDMI v1.4 COMPLIANT, SUPPORTS 1080P

100% TRIPLE SHIELD

BLACK COLOR NYLON JACKET

24 K GOLD PLATED CONNECTORS

OXYGEN FREE COPPER CONDUCTORS

PLASTIC SHELL

1.5 M LENGTH



GAME
CONSOLE



DVD / BLU-RAY
PLAYER



HDTV / HD CABLE
SATELLITE BOX



DVDR / HDD



AV RECEIVER



ETHERNET
IPTV



3D TV
3D BLU-RAY

HDMI PRO



HDMI 19 PIN-M TO HDMI 19 PIN-M

HDMI v1.4 COMPLIANT, SUPPORTS 1080P

100% TRIPLE SHIELD

BLACK COLOR NYLON JACKET

24 K GOLD PLATED CONNECTORS

HDMI 1.4 C COMPLIANT, SUPPORTS 1080P

OXYGEN FREE COPPER CONDUCTORS

PLASTIC SHELL

5 M, 10 M, 15 M, 20 M LENGTH



GAME
CONSOLE



DVD / BLU-RAY
PLAYER



HDTV / HD CABLE
SATELLITE BOX



DVDR / HDD



AV RECEIVER



ETHERNET
IPTV



3D TV
3D BLU-RAY

HDMI MINI



HDMI 19 PIN-M TO HDMI 19 PIN-M

HDMI v1.4 COMPLIANT, SUPPORTS 1080P

100% TRIPLE SHIELD

HDMI 1.4 C COMPLIANT, SUPPORTS 1080P

OXYGEN FREE COPPER CONDUCTORS

PLASTIC SHELL

1,5 M LENGTH



GAME
CONSOLE



DVD / BLU-RAY
PLAYER



HDTV / HD CABLE
SATELLITE BOX



DVDR / HDD



AV RECEIVER



DIGICAM /
CAMCORDER



3D TV
3D BLU-RAY

OPTIC

FIBER OPTIC / TOSLINK AUDIO CONNECTION



1,5 & 3 M LENGTH



FIBER OPTIC



DVD / BLU-RAY
PLAYER



HDTV / HD CABLE
SATELLITE BOX



DVDR / HDD



AV RECEIVER



3D TV
3D BLU-RAY

HDMI ADAPTER



Female to Female
AD 110



Female to Mini Hdmi Male
AD 120



Male to Female
AD 130



GAME
CONSOLE



DVD / BLU-RAY
PLAYER



HDTV / HD CABLE
SATELLITE BOX



DVDR / HDD



AV RECEIVER



3D TV
3D BLU-RAY



3D TV
3D BLU-RAY

HDMI SWITCH



HDMI SWITCH 301

3 HDMI INPUT, 1 HDMI OUTPUT WITH PIGTAIL

HDMI V1.4A COMPLIANT HDCP 1.2 COMPLIANT

FULL HD 1080P, 3D SUPPORT

COMPACT SIZE, SMART AND FAST SWITCHING

HIGH QUALITY FINISHING

WITH 0.9M HDMI CABLE



GAME
CONSOLE



DVD / BLU-RAY
PLAYER



HDTV / HD CABLE
SATELLITE BOX



DVDR / HDD



AV RECEIVER



ETHERNET
IPTV



3D TV
3D BLU-RAY



HDMI SWITCH 501

5 HDMI INPUT SWITCH TO 1 HDMI DISPLAY SINK

HDMI V1.4A VERSION, HDCP 1.2 COMPLIANT

HIGH SPEED WITH CHIPSET BANDWIDTH 2.25GBPS/CHANNEL, 6.75GBPS TOTAL

FULL HD 1080P 24FPS & 50/60HZ

SUPPORT VGA, SVGA, XGA, SXGA, UXGA AND WUXGA (1920X1200)

STANDARD 36BIT COLOR (RGB/TCBCR) & NEW XYVCC COLOR SPACE

DTS-HD/TRUE-HD/LPCM7.1/AC 3/DTS/DSD AUDIO FORMAT

20M AWG24 HDMI INPUT CABLE LENGTH

15M AWG24 HDMI OUTPUT CABLE LENGTH

AUTOMATIC DETECTIVE SIGNAL

MANUAL CONTROL OR REMOTE IR CONTROL

3D SUPPORT



GAME
CONSOLE



DVD / BLU-RAY
PLAYER



HDTV / HD CABLE
SATELLITE BOX



DVDR / HDD



AV RECEIVER



ETHERNET
IPTV



3D TV
3D BLU-RAY

IR REPEATER



IR REPEATER

Full Control for Home Theater Components
Located Behind Cabinet Doors

HIDDEN IR REPEATER BOX

6 OUTPUT EMITTERS (2M) CORD

2 OUTPUT EMITTERS (4M) CORD

1 MINI PLUG CONNECTOR

IR RECEIVER WITH 1M CORD AND 4-PIN DIN CONNECTOR

PLUG-IN POWER SUPPLY



GAME
CONSOLE



DVD / BLU-RAY
PLAYER



HDTV / HD CABLE
SATELLITE BOX



DVR / HDD



AV RECEIVER

SCART SILVER



SCART ROUND CABLE 21 PIN-M TO 21 PIN-M

SILVER COLOR NYLON JACKET

24 K GOLD PLATED CONNECTORS

OXYGEN FREE COPPER CONDUCTORS

METALLIC SHELL

1.5 M LENGTH



GAME
CONSOLE



DVD PLAYER



SAT CABLE TV



HDTV



VCR / DVR

SCART BLACK



SCART ROUND CABLE 21 PIN-M TO 21 PIN-M

BLACK COLOR NYLON JACKET

24 K GOLD PLATED CONNECTORS

OXYGEN FREE COPPER CONDUCTORS

HIGH GLOSS METALLIC SHELL

1.5 M LENGTH



SCART FLAT



SCART 21 PIN-M TO 21 PIN-M

FLAT CABLE

24 K GOLD PLATED CONNECTORS

OXYGEN FREE COPPER CONDUCTORS

METALLIC SHELL

1.5 M LENGTH



SCART NEO



SCART ROUND CABLE 21 PIN-M TO 21 PIN-M

24 K GOLD PLATED CONNECTORS

OXYGEN FREE COPPER CONDUCTORS

PLASTIC SHELL

1,5 M LENGTH



REMOTE STAND 500



COLOR OPTIONS: WHITE, BLACK, BROWN

ENERGY SAVER

ENERGY SAVER ES-05

ES-05, AUTOMATICALLY CONTROLS POWER TO THE DEVICES PLUGGED INTO THE "SLAVE" OUTLETS BY SENSING WHEN THE DEVICE PLUGGED INTO THE "MASTER" OUTLET IS SWITCHED ON AND OFF / STANDBY. WHEN THE "MASTER" DEVICE IS SWITCHED ON THE "SLAVE" DEVICES WILL AUTOMATICALLY SWITCH ON AND, CONVERSELY, WHEN THE "MASTER" DEVICE IS SWITCHED OFF OR IN STANDBY POSITION, THE "SLAVE" DEVICES WILL AUTOMATICALLY SWITCH OFF.

ES-05 PROTECTS FROM DAMAGES CAUSED BY SPIKES, SURGES, OVERLOAD AND LIGHTING.

MAX. 3500W 230V ~ 50 HZ
MASTER SOCKET: MAX. 500W 230V ~ M

SURGE PROTECTION SPECIFICATIONS:
UC: 230V, UP:1.8 KV, UOC: 3 KV, TYP3, IP20



ENERGY SAVER ES-08

ES-08, AUTOMATICALLY CONTROLS POWER TO THE DEVICES PLUGGED INTO THE "SLAVE" OUTLETS BY SENSING WHEN THE DEVICE PLUGGED INTO THE "MASTER" OUTLET IS SWITCHED ON AND OFF / STANDBY. WHEN THE "MASTER" DEVICE IS SWITCHED ON THE "SLAVE" DEVICES WILL AUTOMATICALLY SWITCH ON AND, CONVERSELY, WHEN THE "MASTER" DEVICE IS SWITCHED OFF OR IN STANDBY POSITION, THE "SLAVE" DEVICES WILL AUTOMATICALLY SWITCH OFF.

ES-08 PROTECTS FROM DAMAGES CAUSED BY SPIKES, SURGES, OVERLOAD AND LIGHTING.

MAX. 3500W 230V ~ 50 HZ
MASTER SOCKET: MAX. 500W 230V ~ M

SURGE PROTECTION SPECIFICATIONS:
T3 UC 250V ~ 50 HZ
UOC 4 KV FOR L/N-PE, L-N
UP 1.9 KV FOR L/N-PE, L-N



3D VIEWER



3D VIEWER

TWO 3D VIEWERS IN ONE PACKAGE

COMPATIBLE WITH 3D PASSIVE TV'S

NO BATTERIES OR RECHARGING REQUIRED



3D VIEWER FOR KIDS

TWO 3D VIEWERS IN ONE PACKAGE

COMPATIBLE WITH 3D PASSIVE TV'S

NO BATTERIES OR RECHARGING REQUIRED

SCREEN PROTECTOR



SCREEN PROTECTOR FOR IPAD2 / THE NEW IPAD

CLEAR AND ANTI-GLARE OPTIONS

TWO SCREEN PROTECTORS IN ONE PACKAGE

CLEANING WIPE

SMOOTHING CARD



SCREEN PROTECTOR FOR IPHONE 4 / 4S

CLEAR AND ANTI-GLARE OPTIONS

TWO SCREEN PROTECTORS IN ONE PACKAGE

CLEANING WIPE

SMOOTHING CARD

LCD & PLASMA TV SCREEN SOLUTION

Sonorous Screen Saver reduces the static electricity and provides UV protection. It can even be applied on warm screens and works on all CRT, TFT, LCD screens and furniture.



SCREEN SAVER

SIZE: 30 or 150 ML



NON FLAMMABLE



LED / LCD



NOTEBOOK



FURNITURE



TV / CRT

sonorous.com